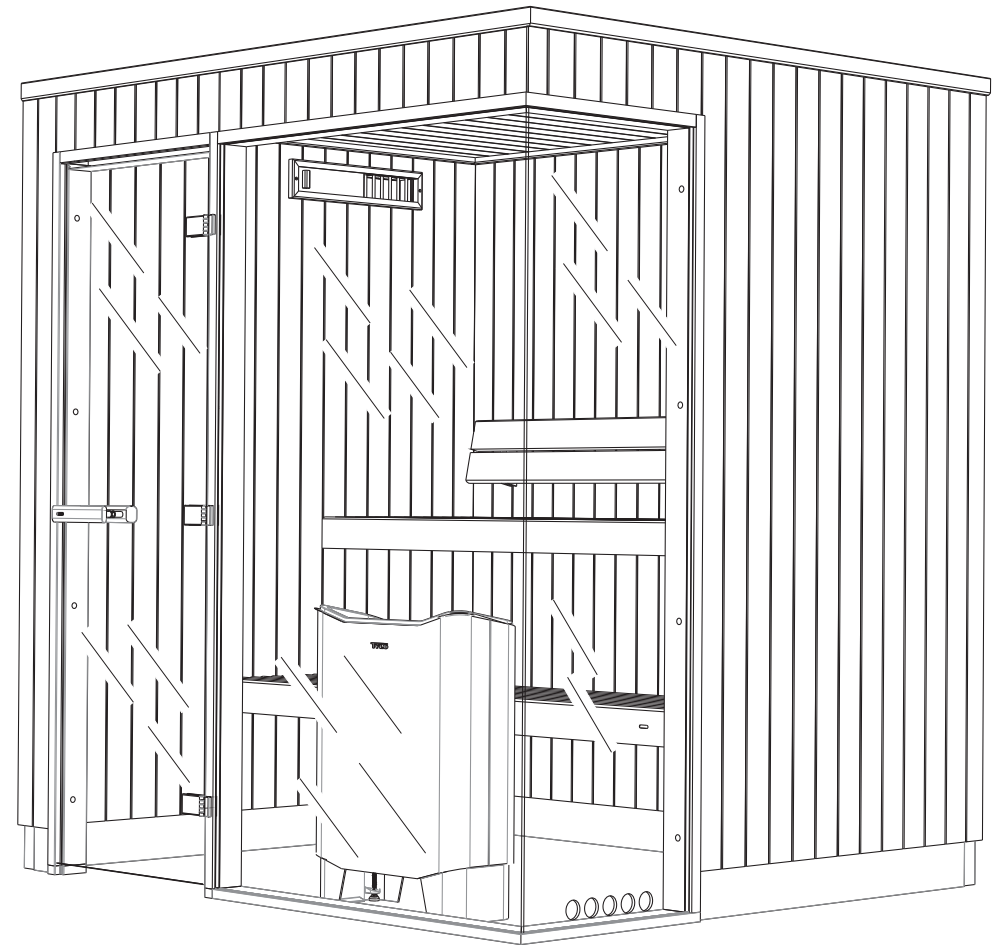


TYLÖ SAUNA EVOLVE PLUS GC

Layouts

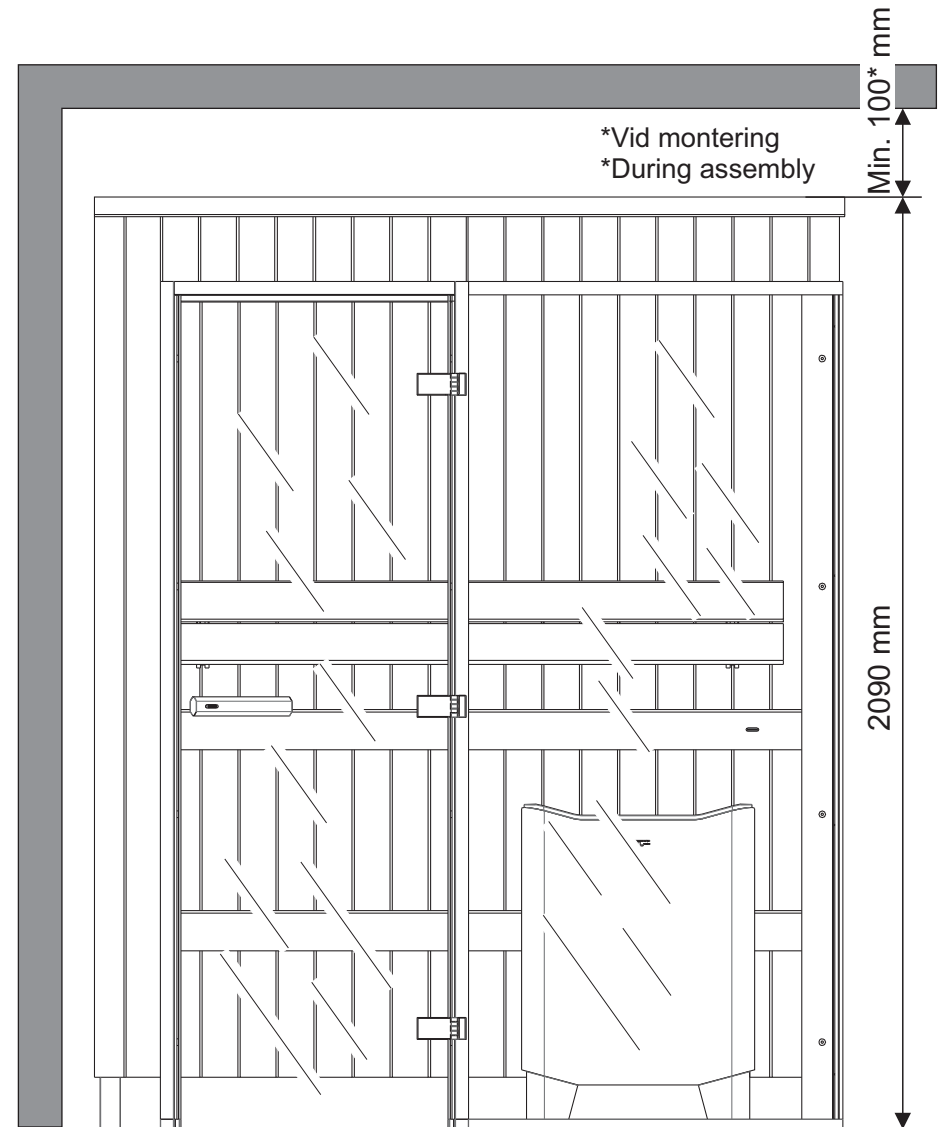
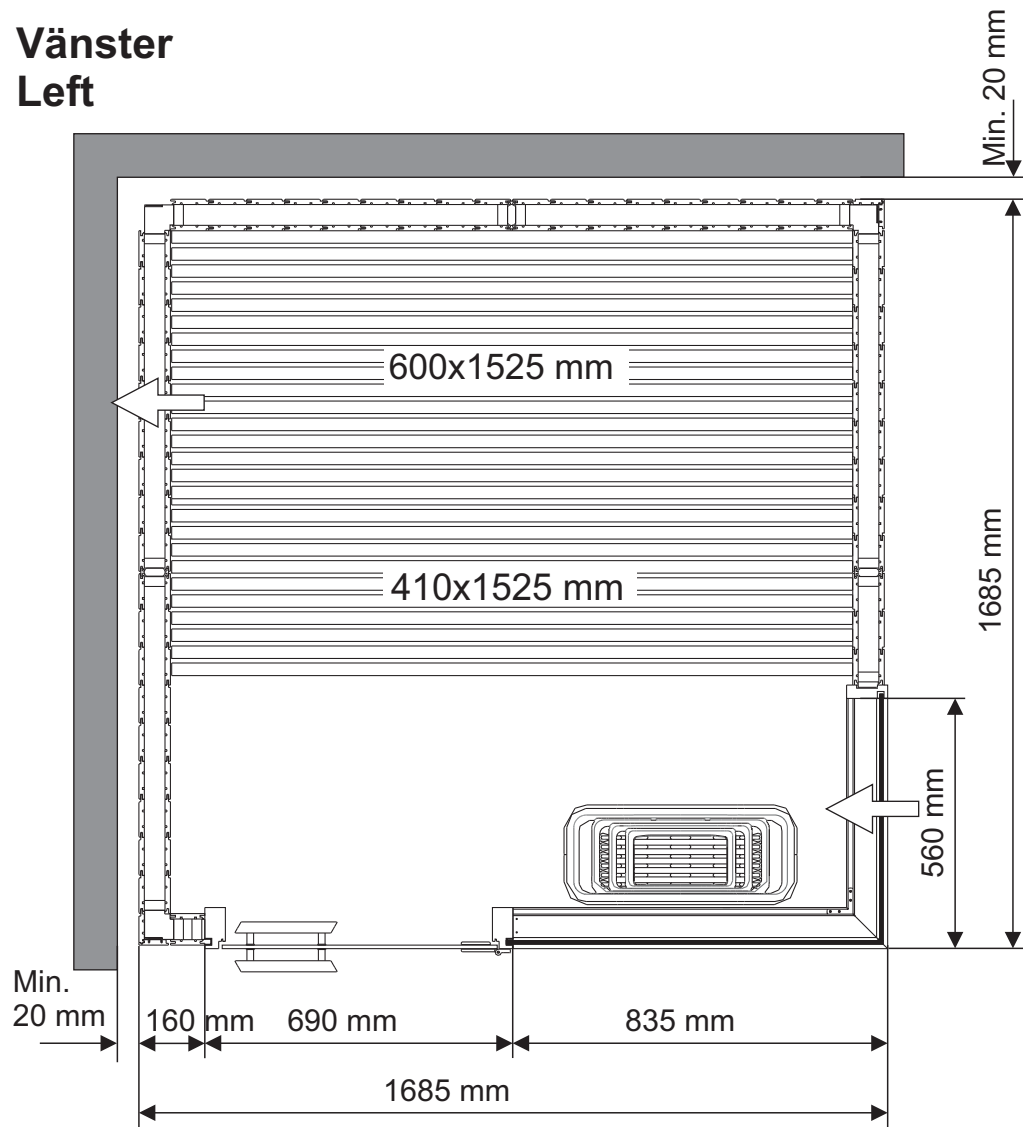
<u>Sauna room</u>	<u>Page</u>
E 1717	2
E 1917	8
E 1919	14
E 2217	20
E 2219	26
E 2222	32
E 2419	38
E 2422	45
E 2719	52



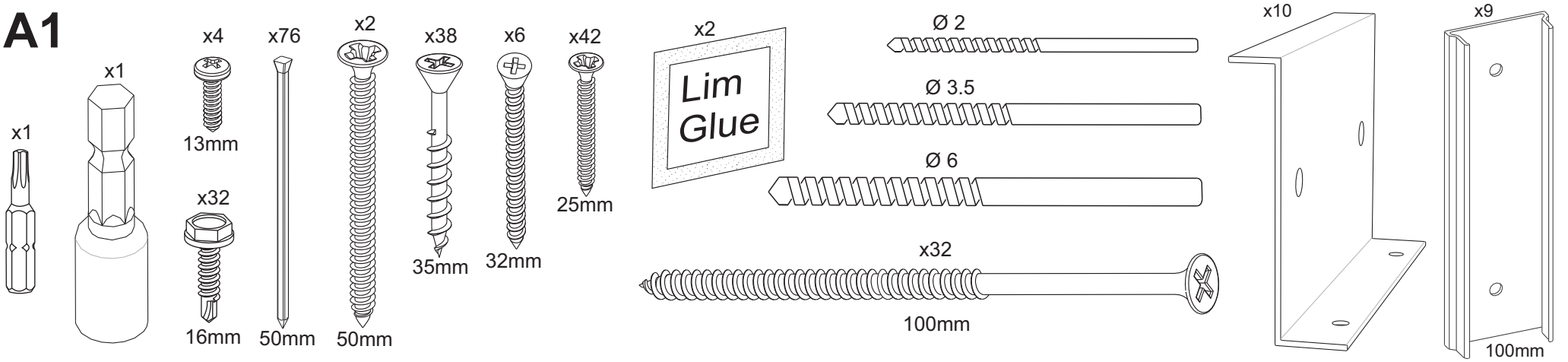
TYLÖ SAUNA E1717 PLUS GC

1301

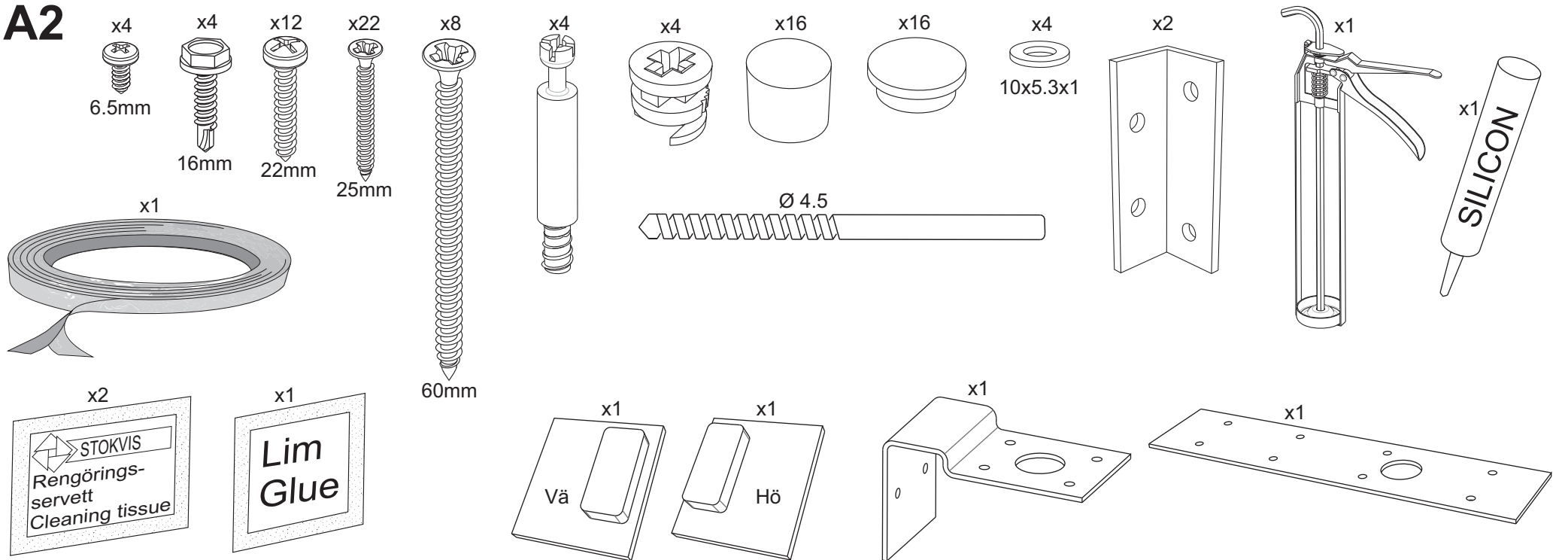
Vänster
Left



A1

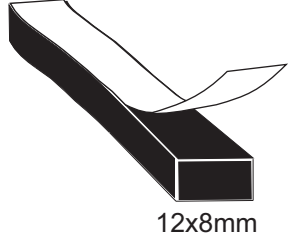


A2

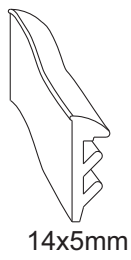


B

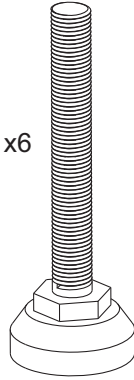
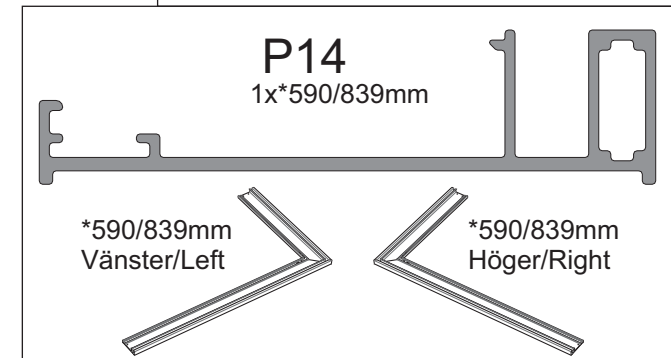
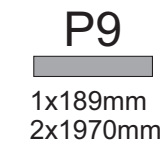
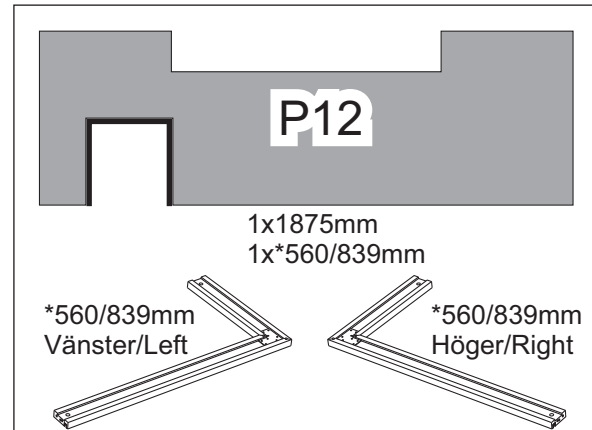
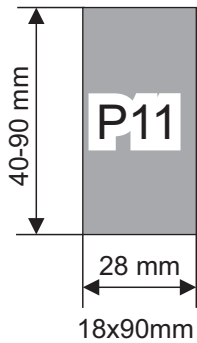
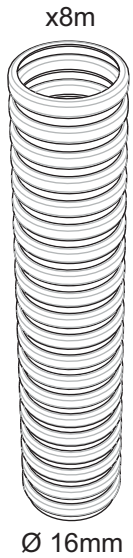
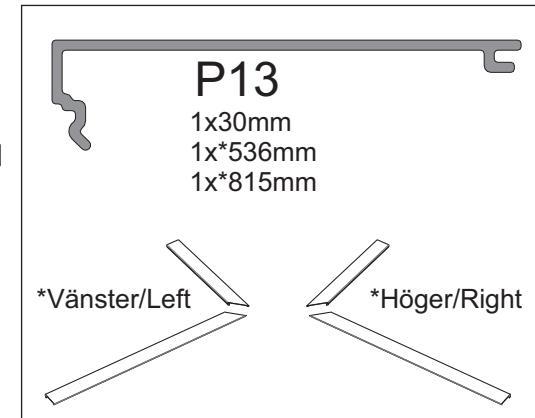
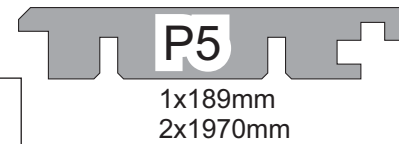
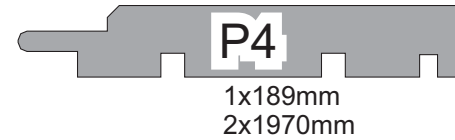
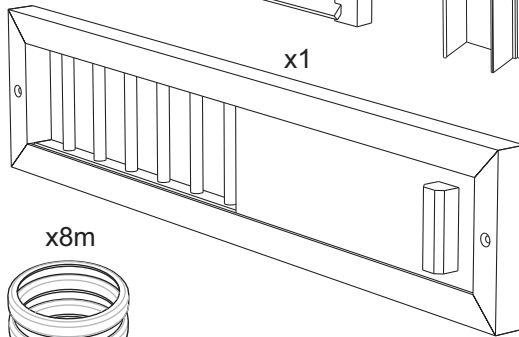
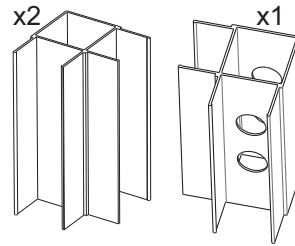
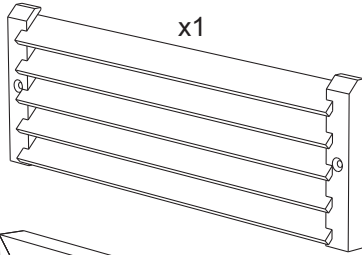
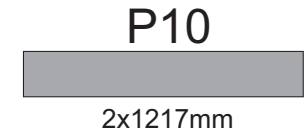
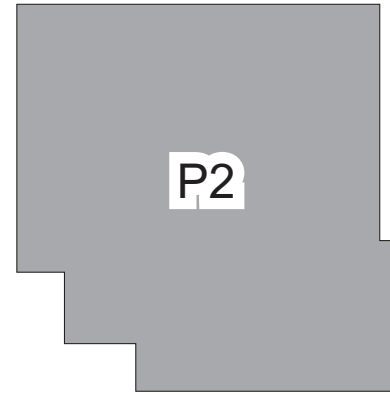
x7m

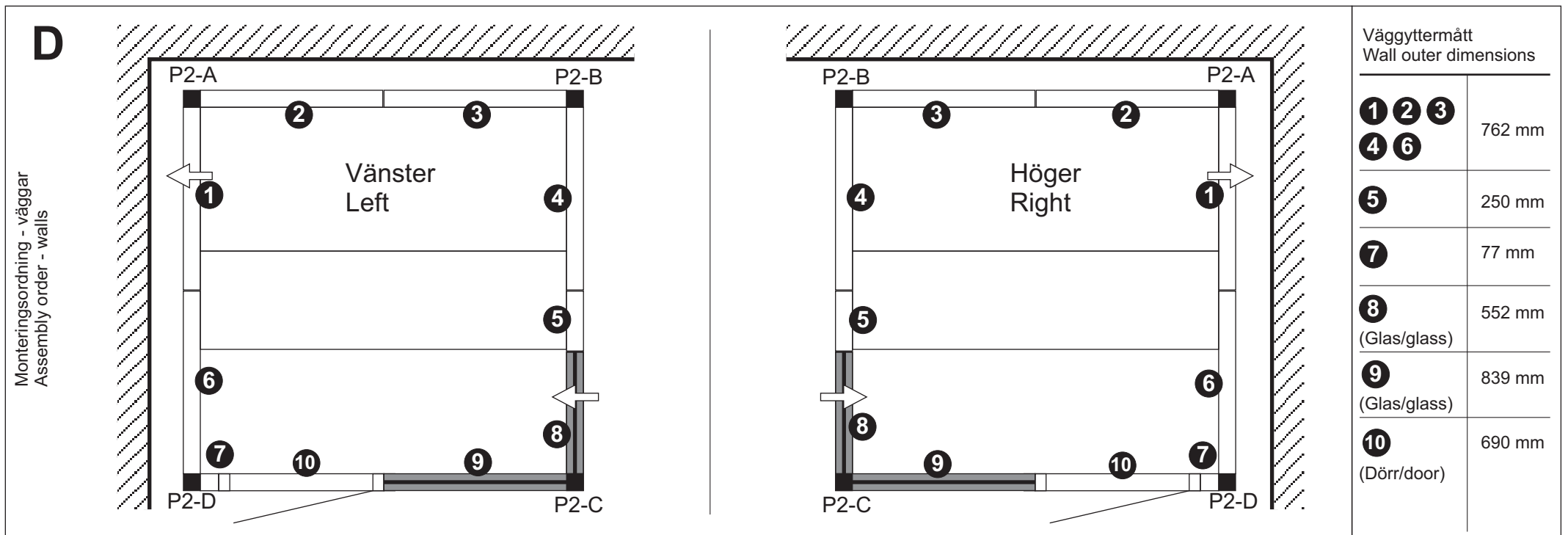
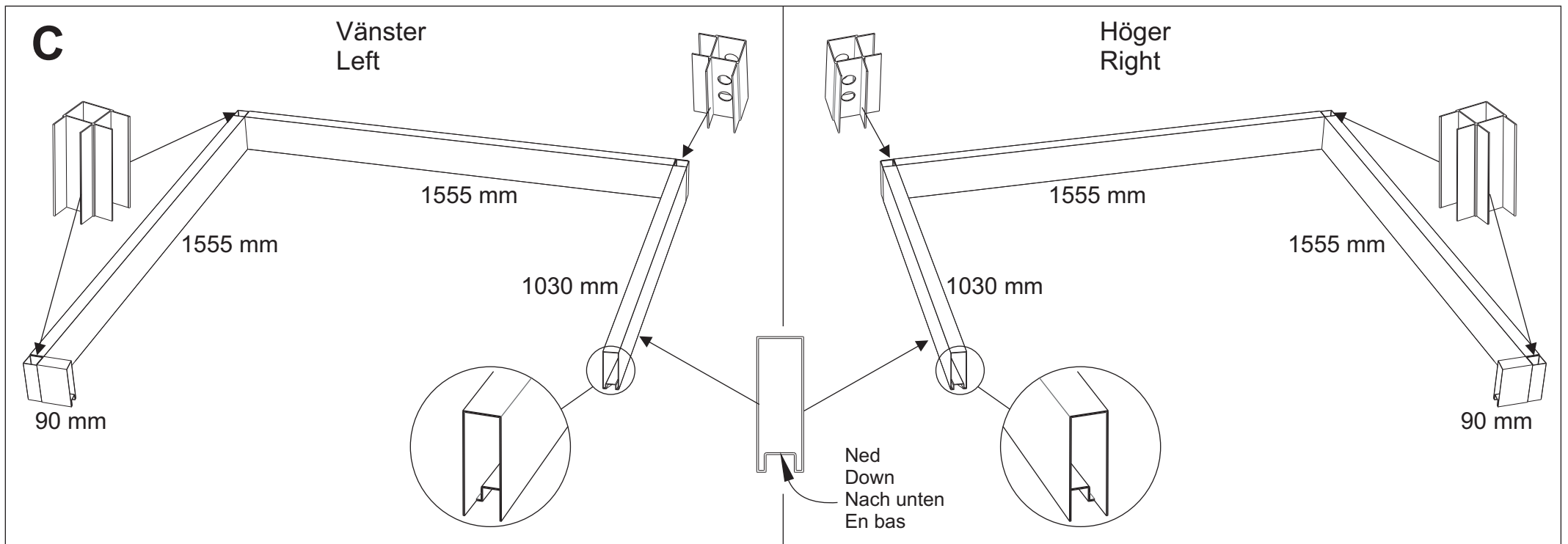


x9m



x6

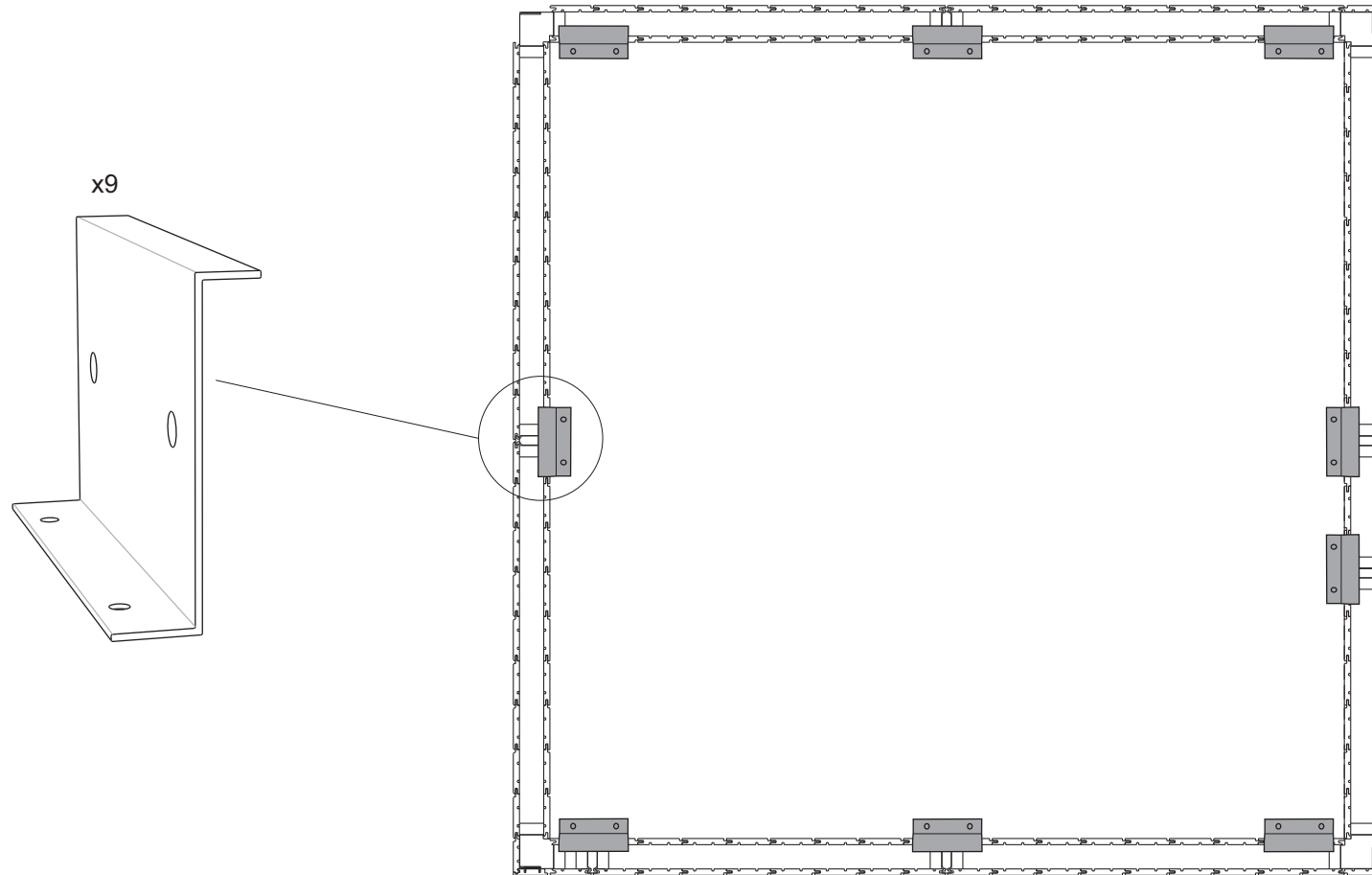
**P1**



E

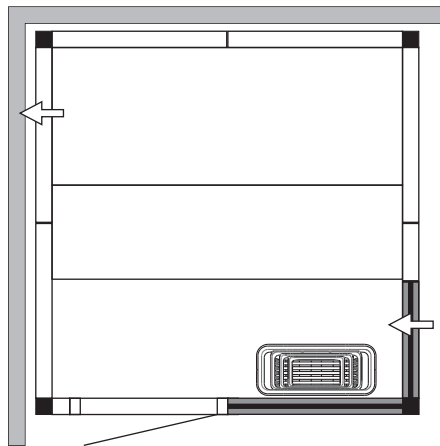
Placering av skarvprofil.
Montering - se monteringsanvisning av rummet.

Location of the joint profile
Assembly - see installation instructions of the room.

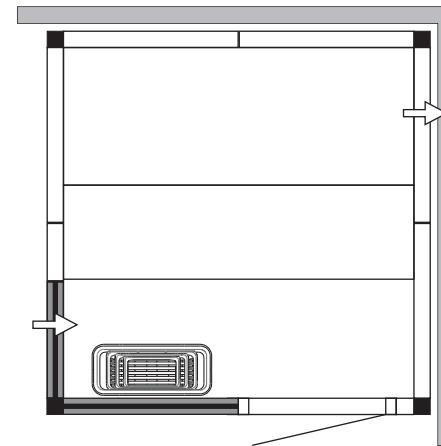


F Layouts 1717 PLUS GC

1717 PLUS GC Left



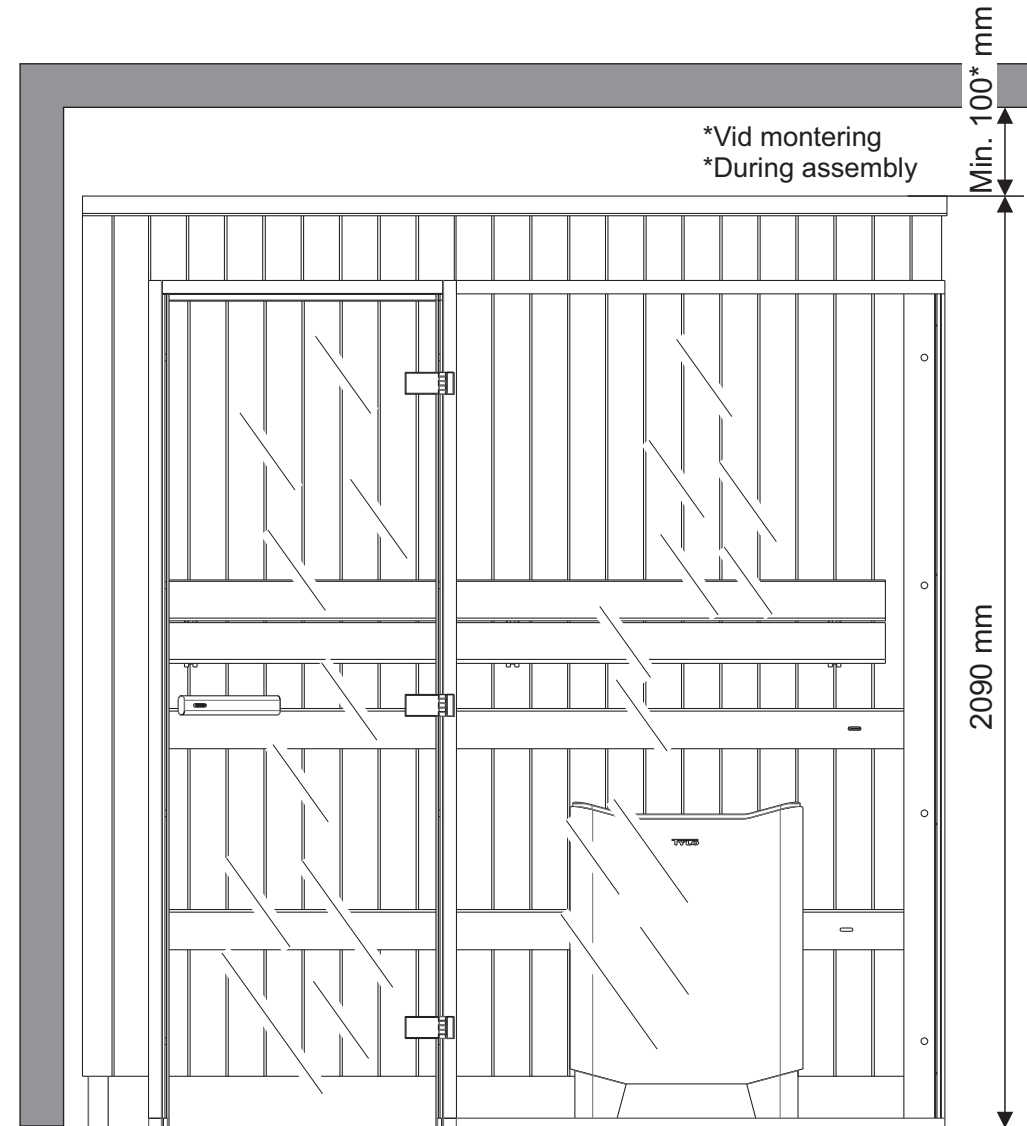
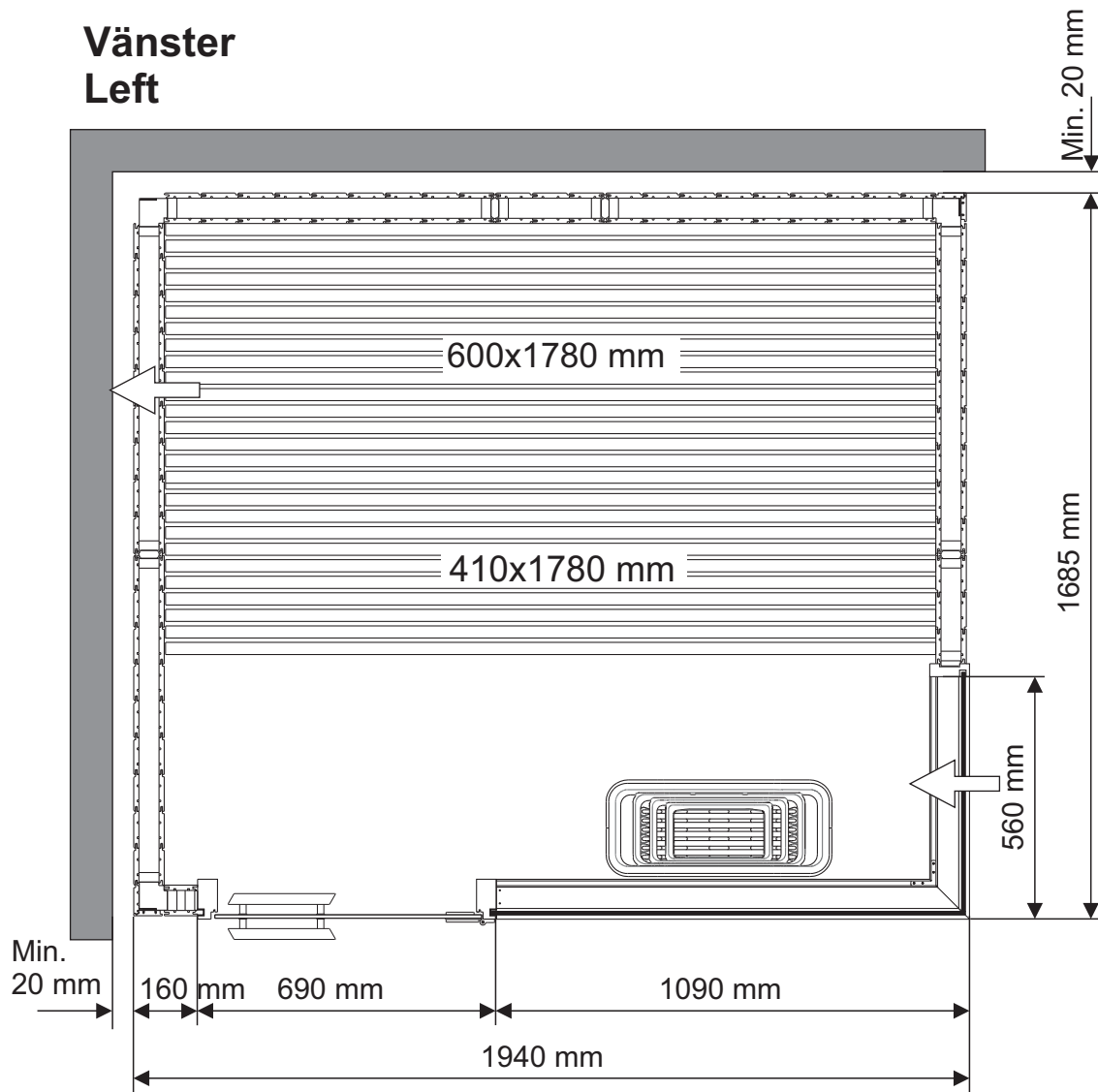
1717 PLUS GC Right



TYLÖ SAUNA E1917 PLUS GC

1301

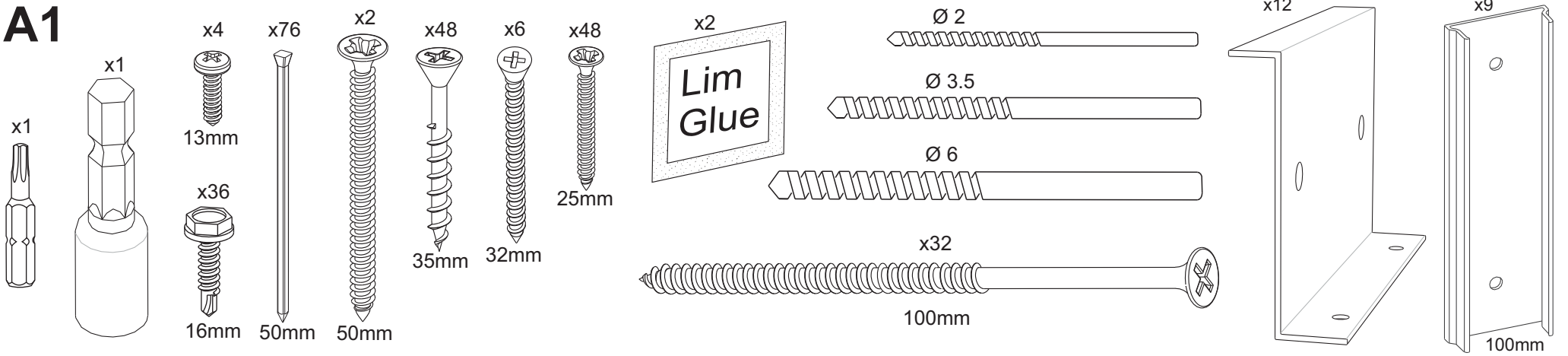
Vänster
Left



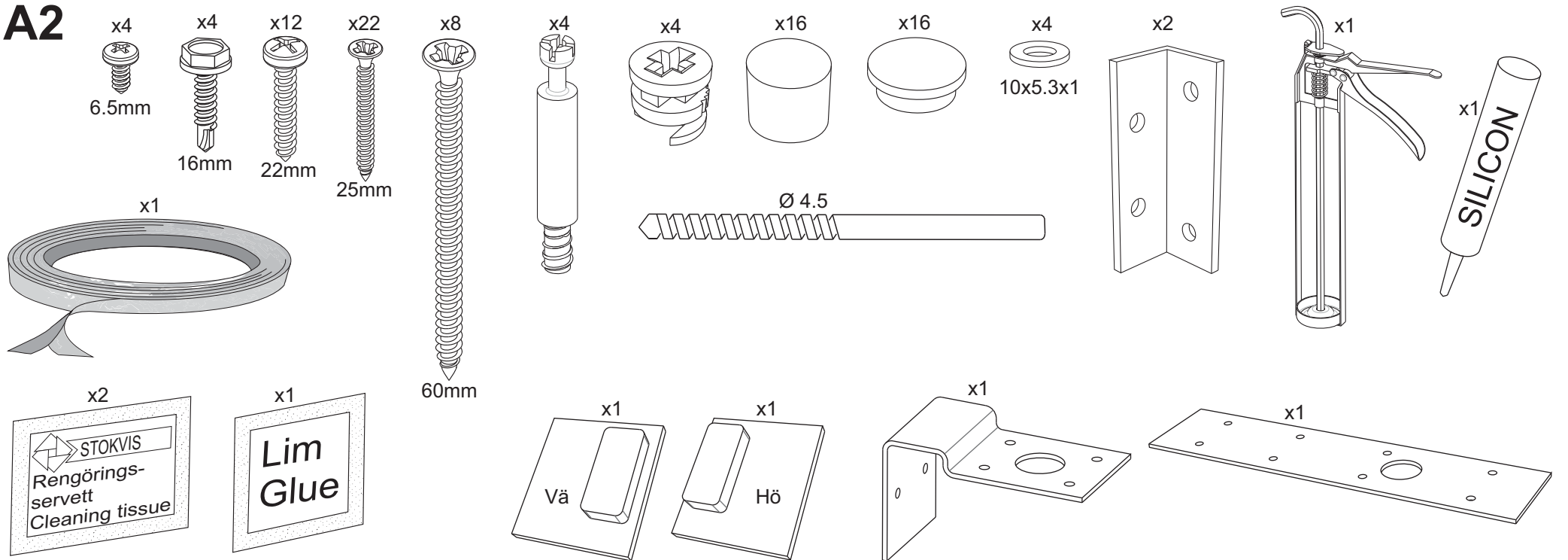
Art.nr 2900 4332

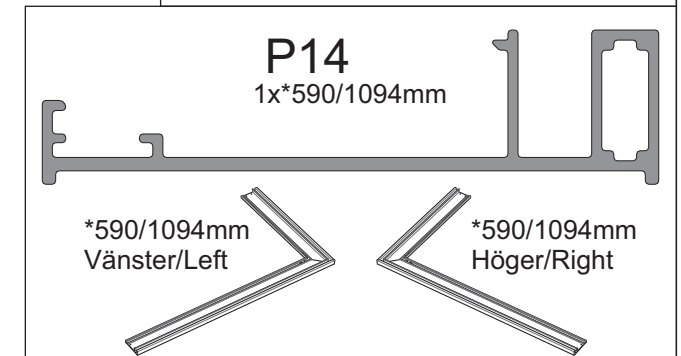
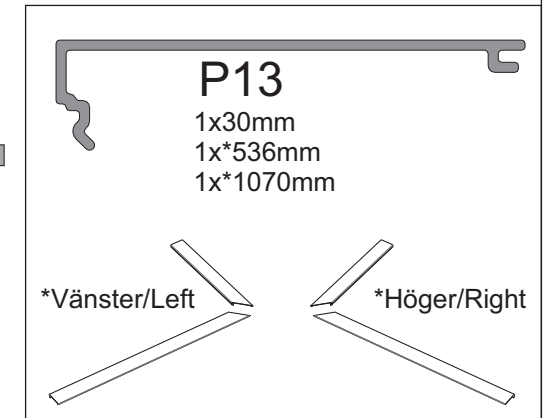
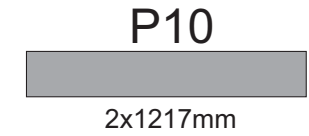
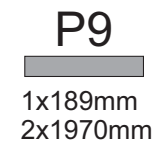
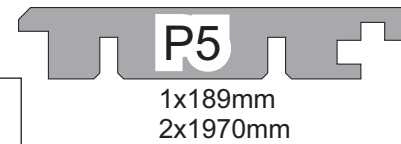
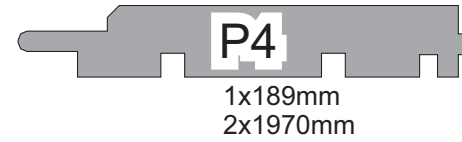
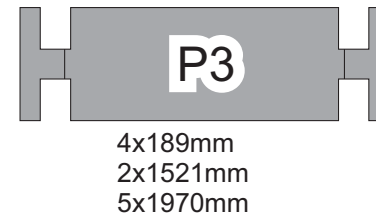
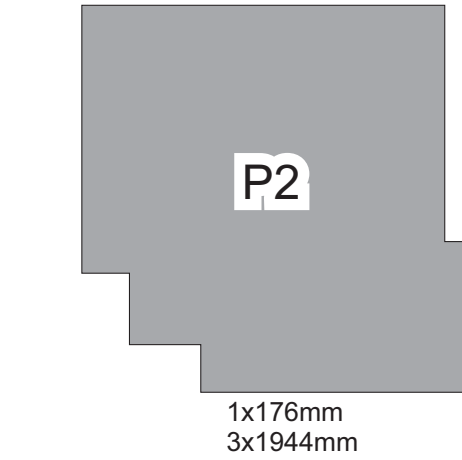
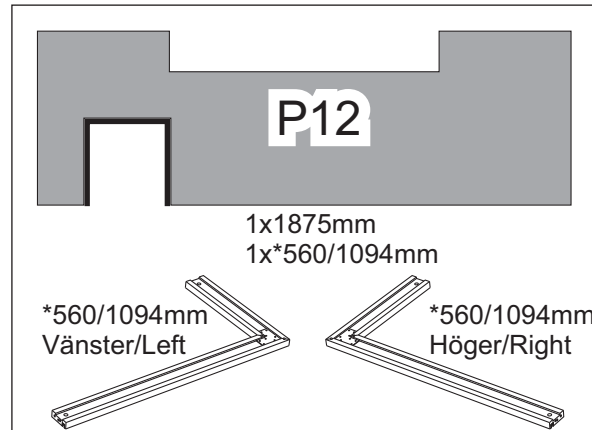
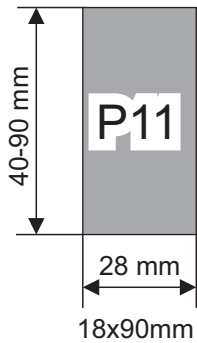
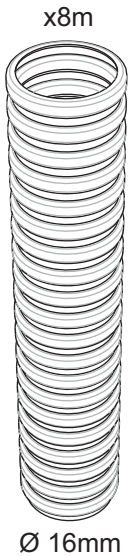
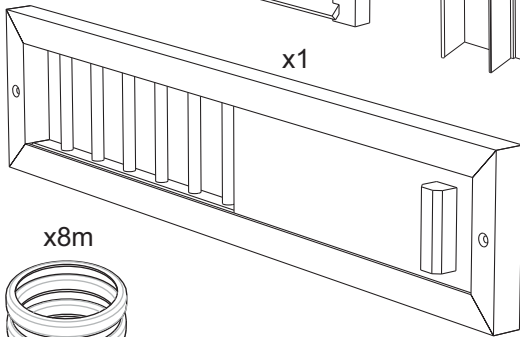
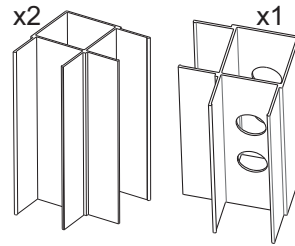
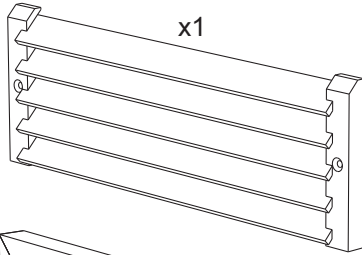
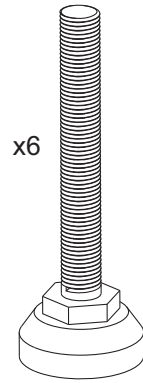
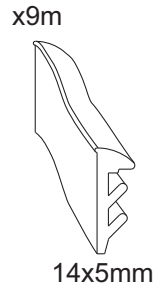
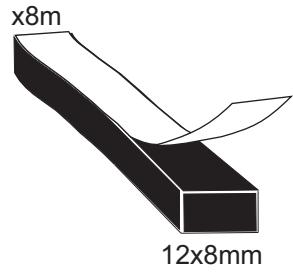
TYLÖ[®]
for the senses

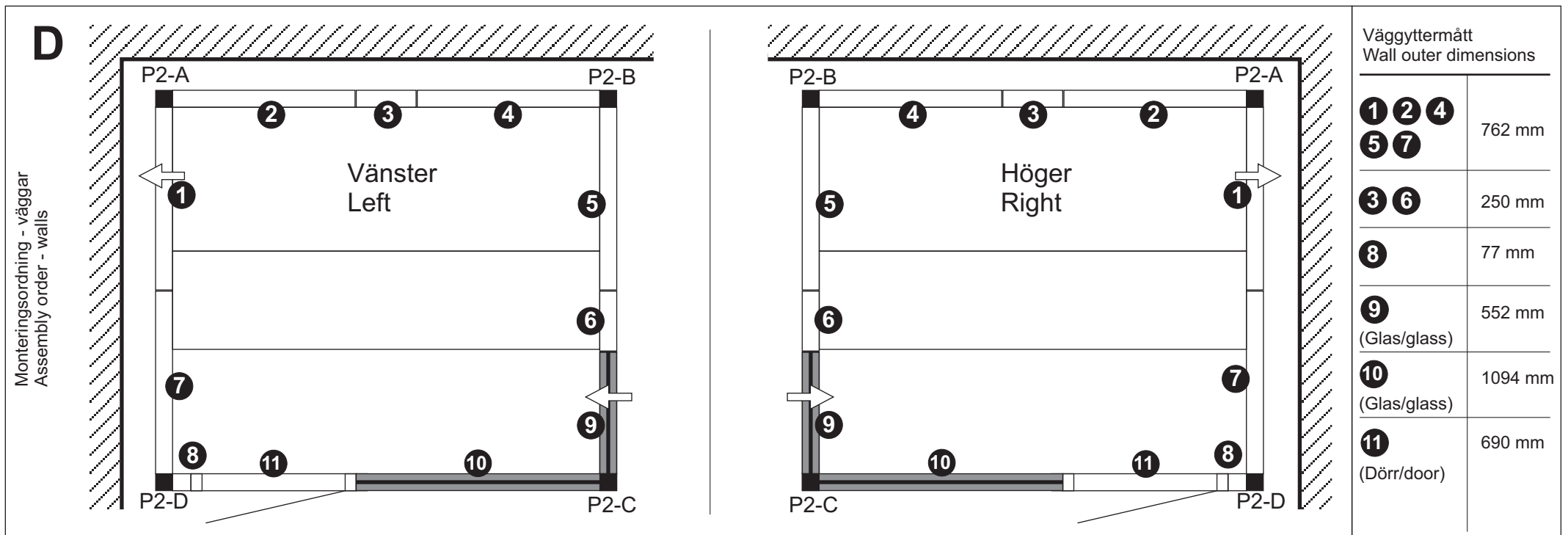
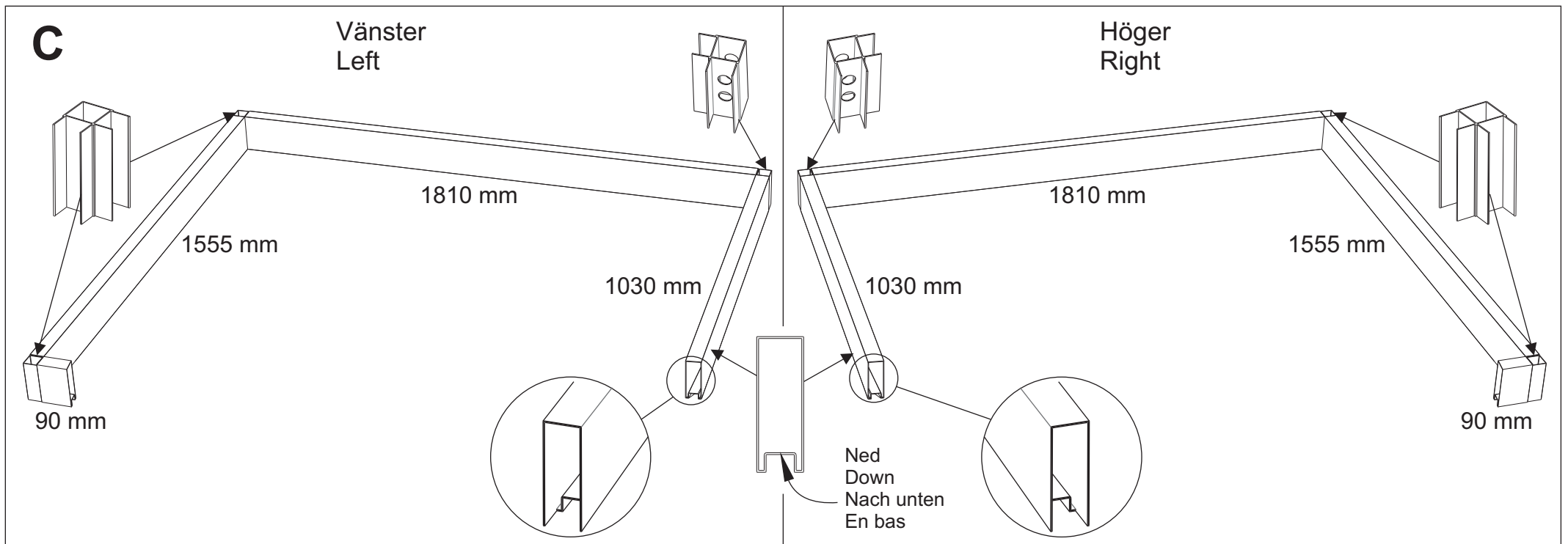
A1



A2



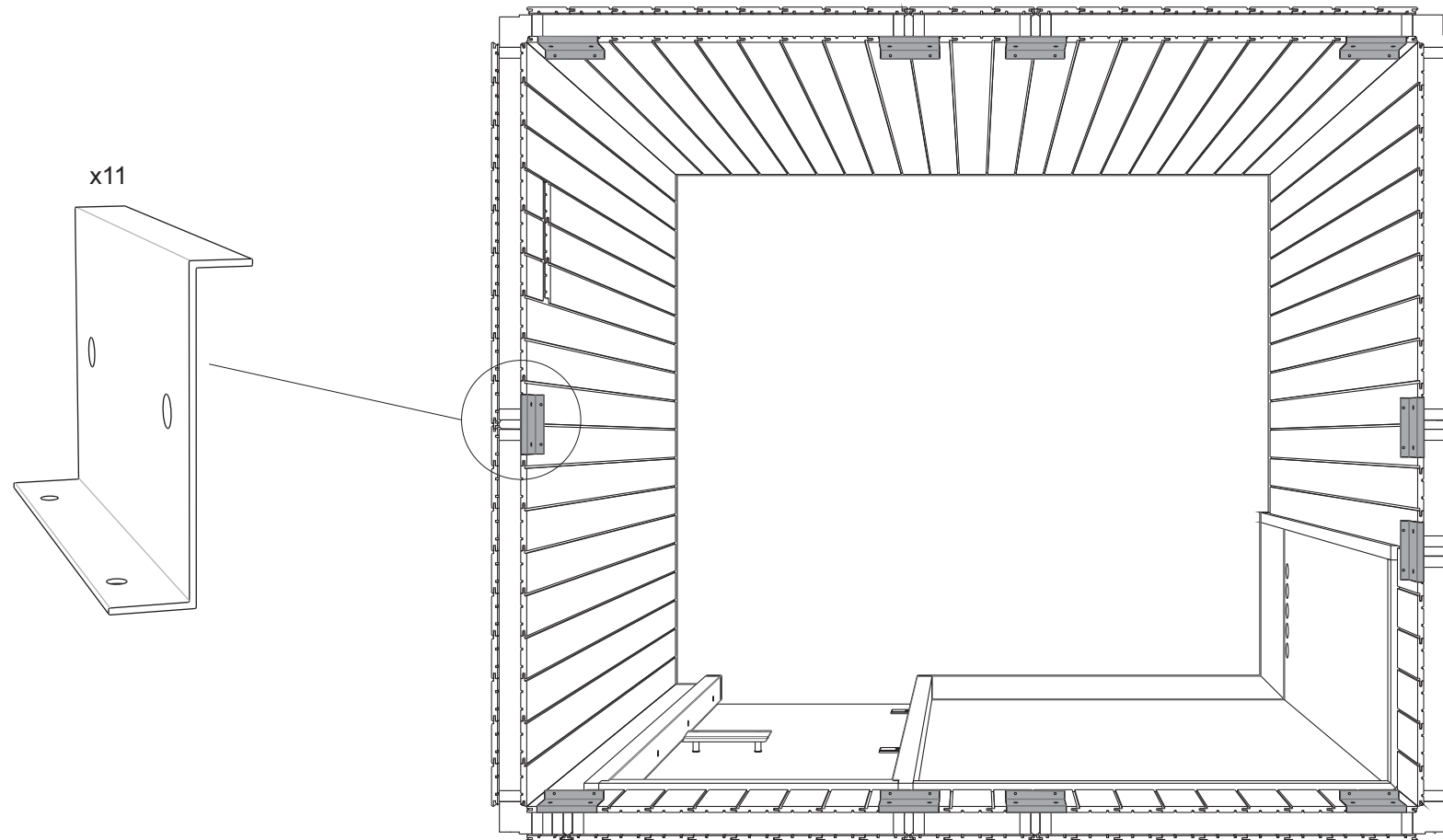
B



E

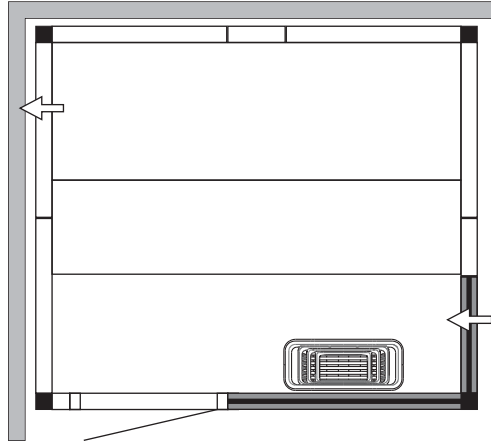
Placering av skarvprofil.
Montering - se monteringsanvisning av rummet.

Location of the joint profile
Assembly - see installation instructions of the room.

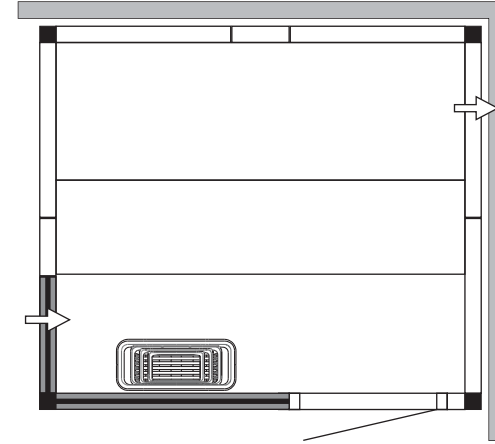


F Layouts 1917 PLUS GC

1917 PLUS GC Left



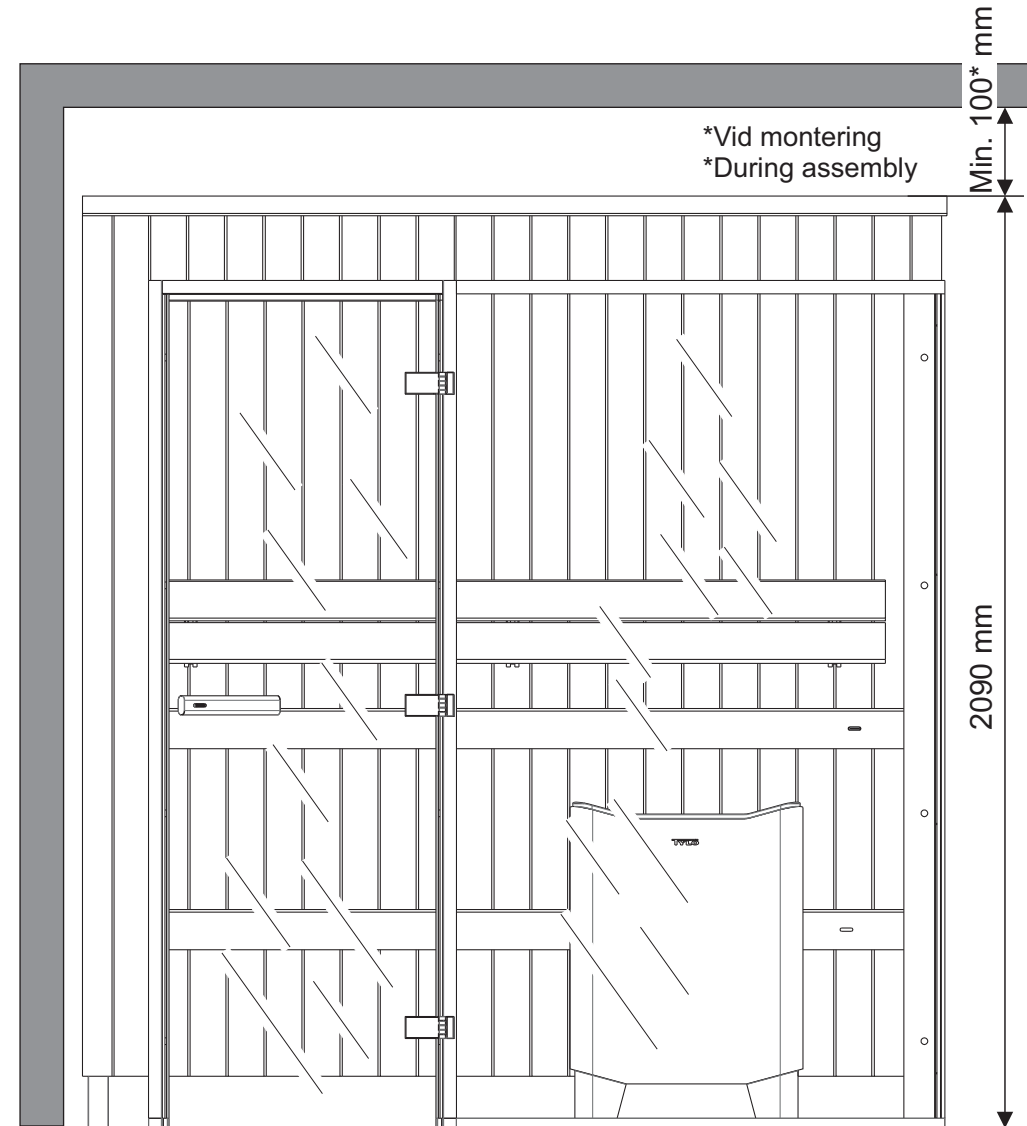
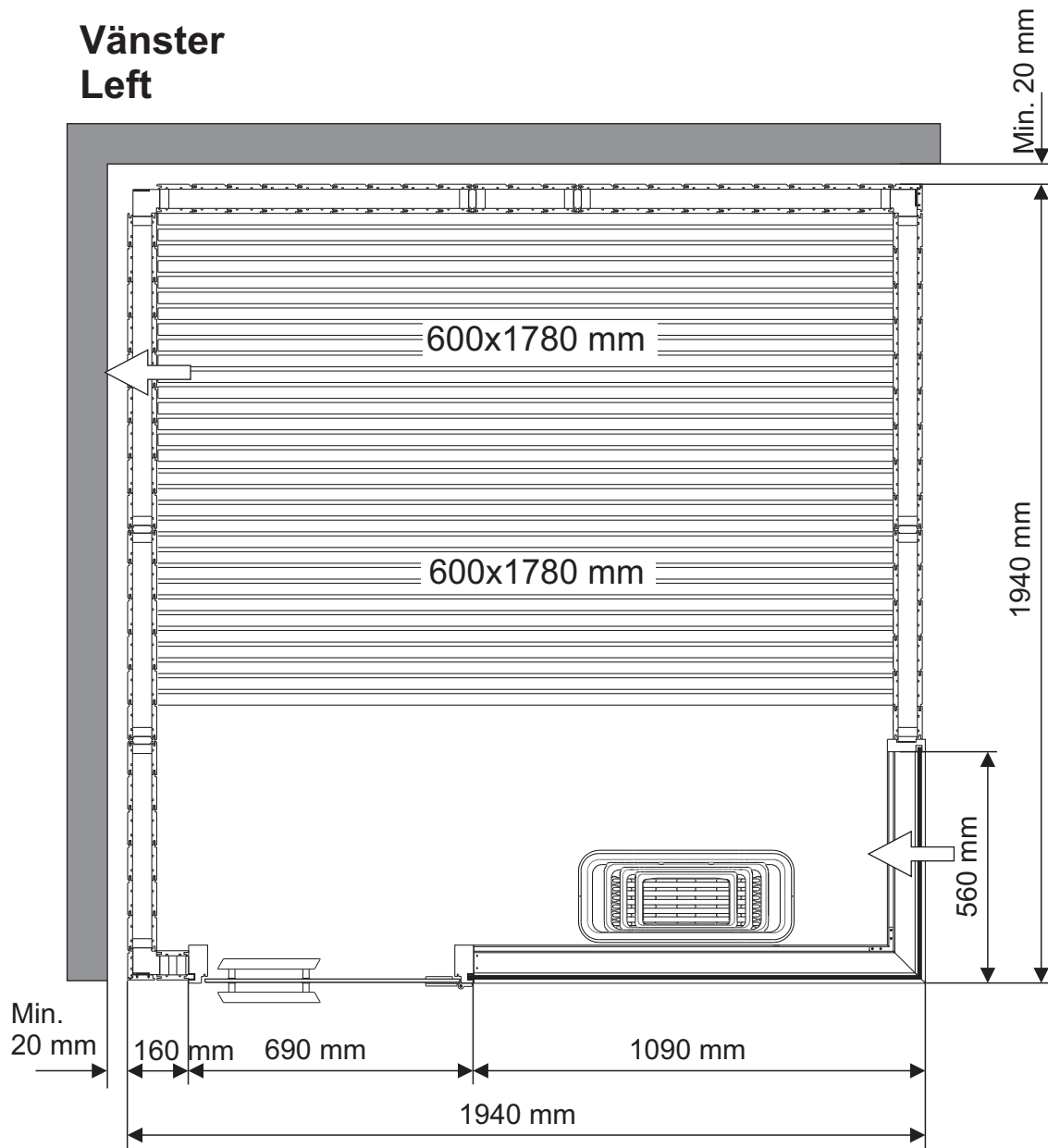
1917 PLUS GC Right



TYLÖ SAUNA E1919 PLUS GC

1301

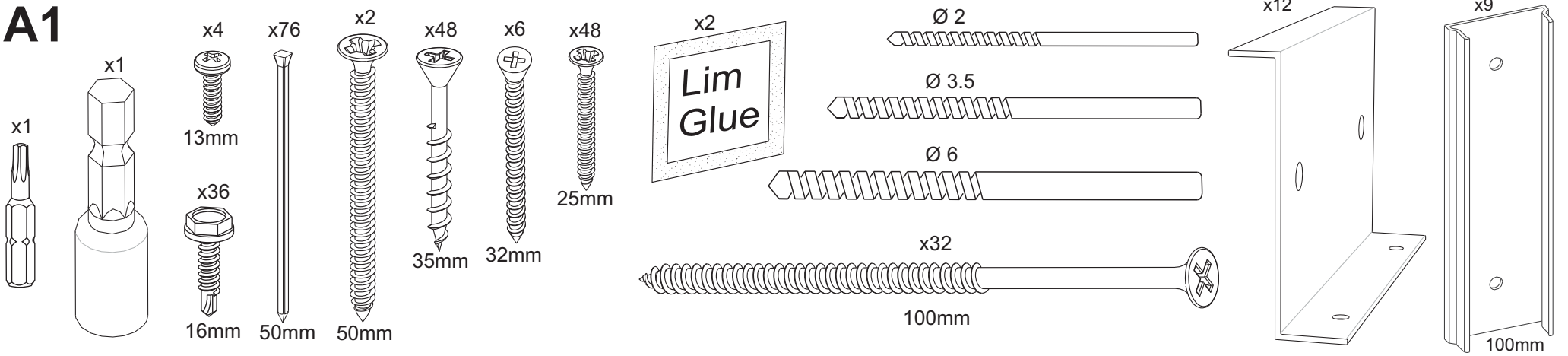
Vänster
Left



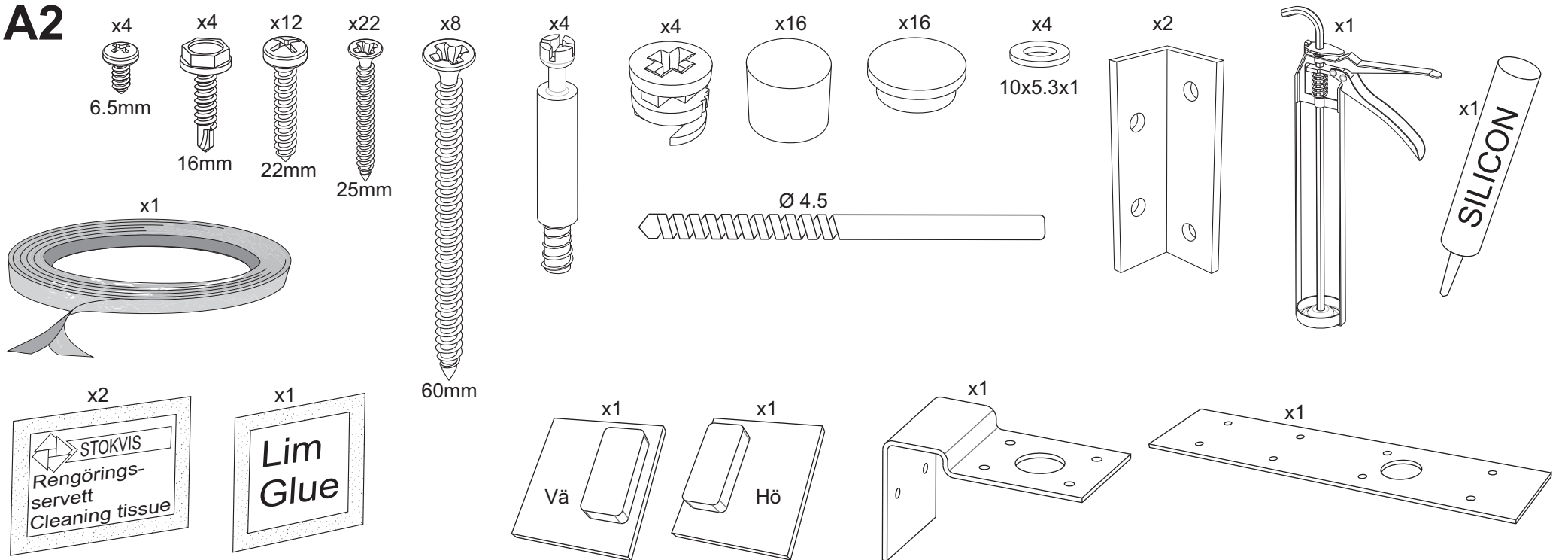
Art.nr 2900 4342

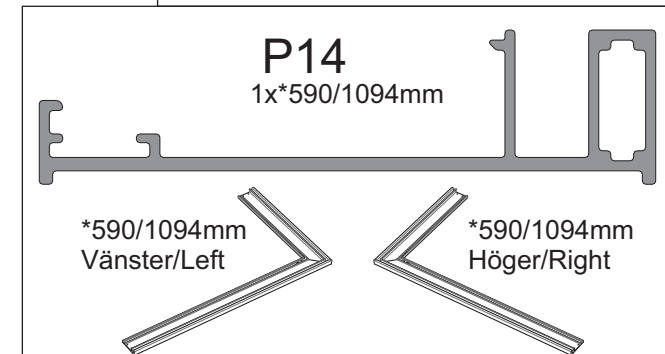
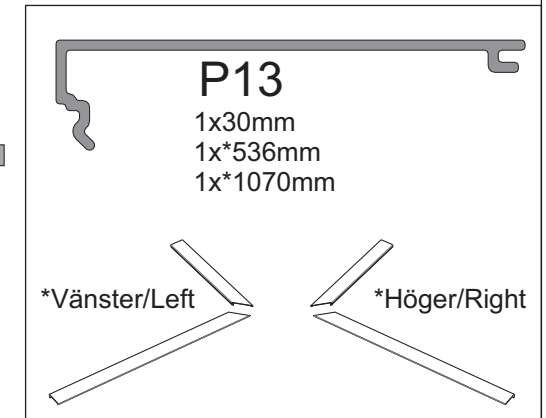
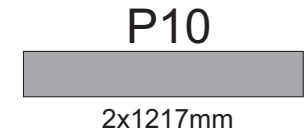
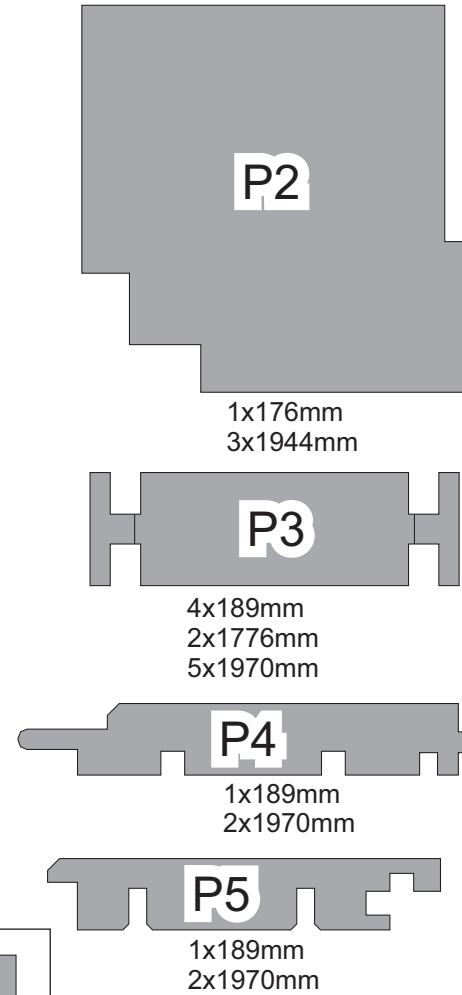
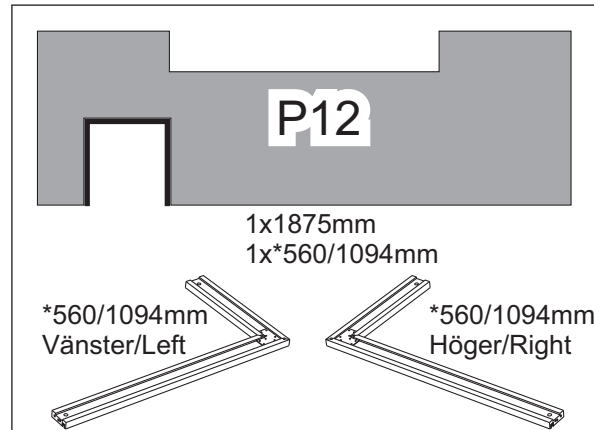
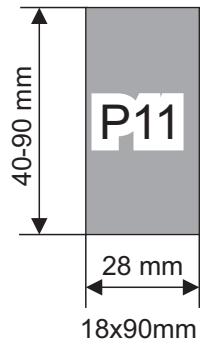
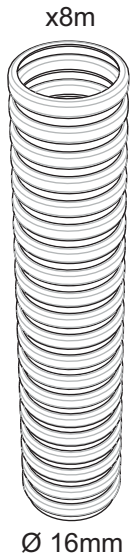
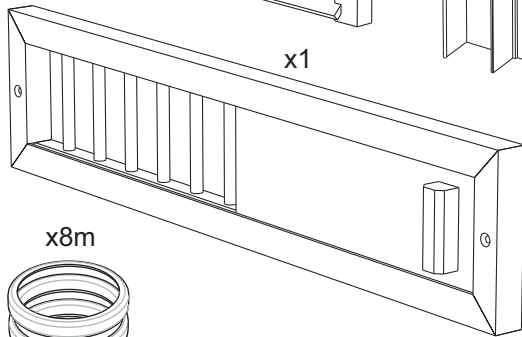
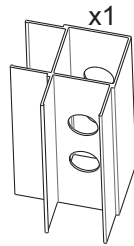
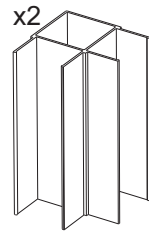
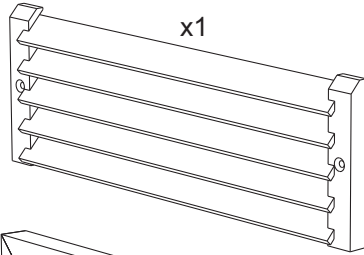
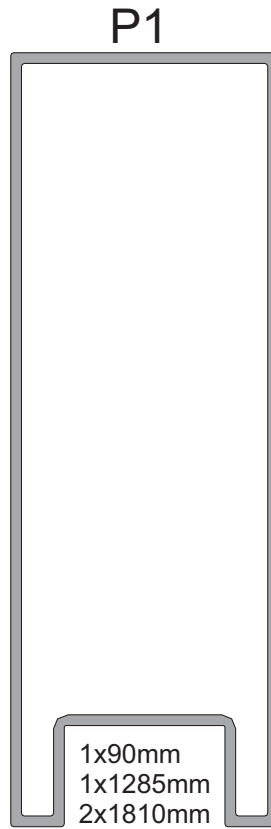
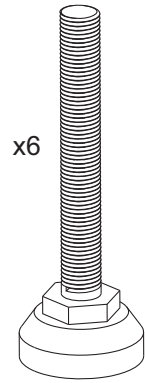
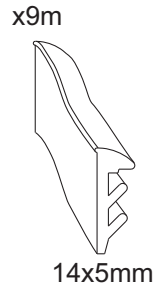
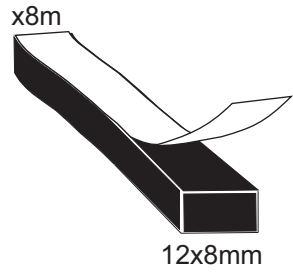
TYLÖ[®]
for the senses

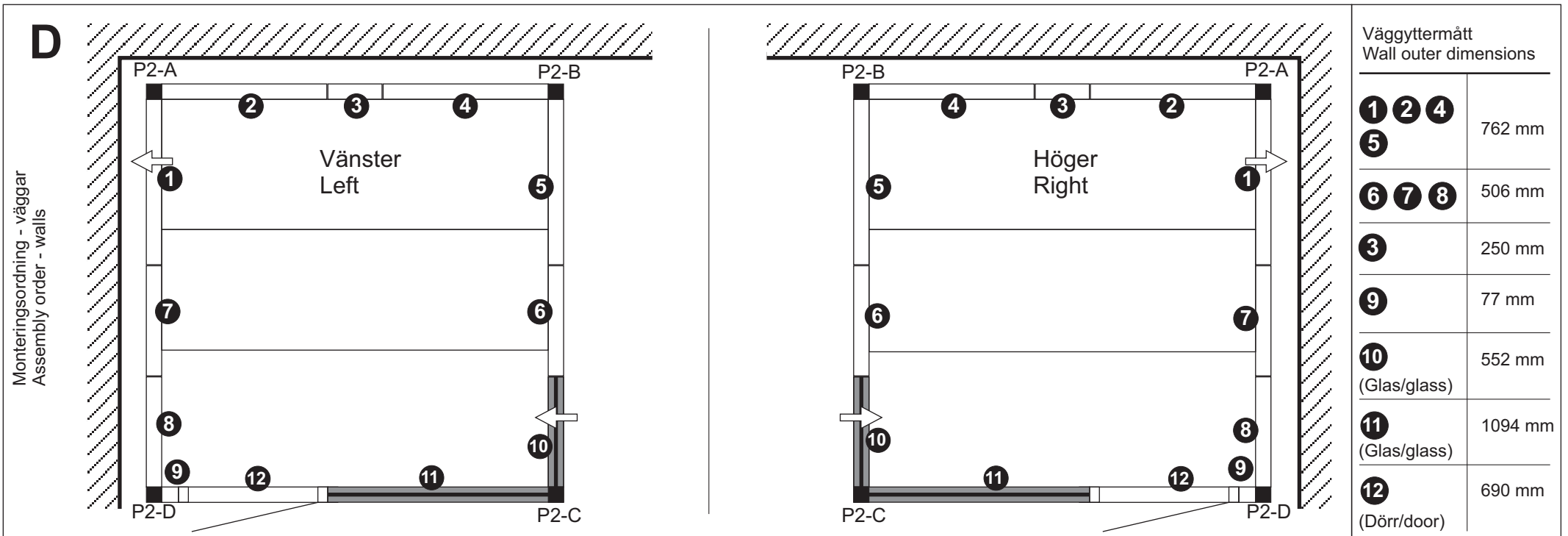
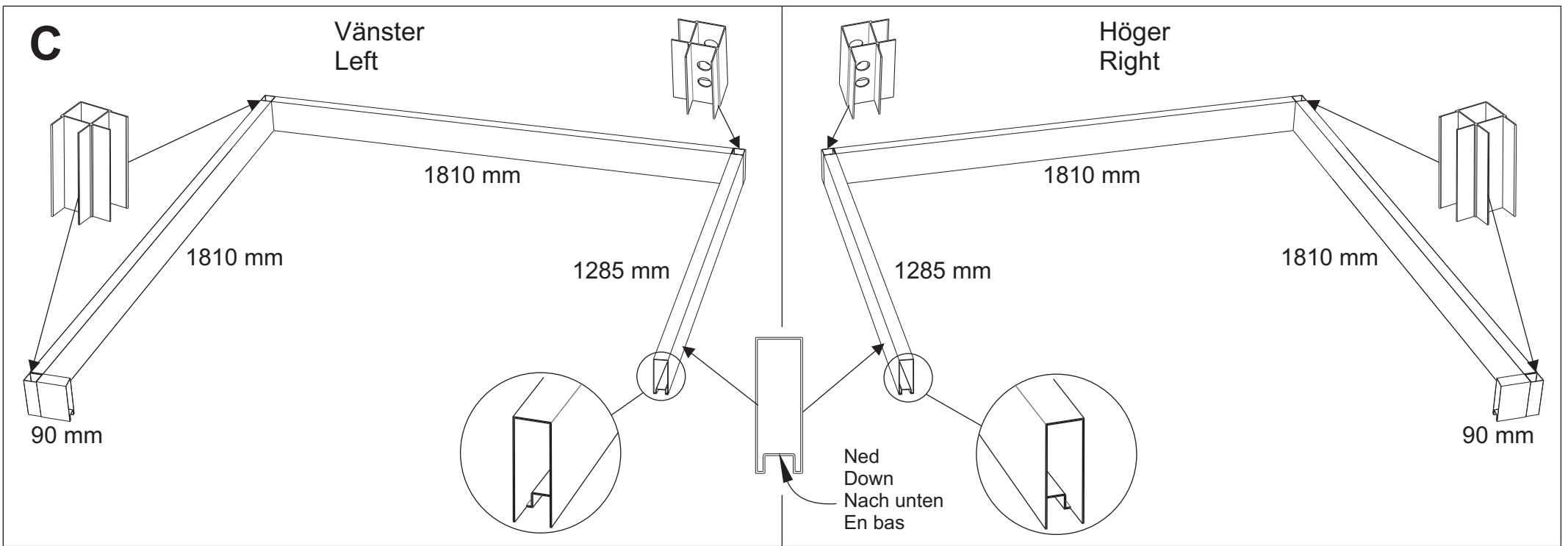
A1



A2



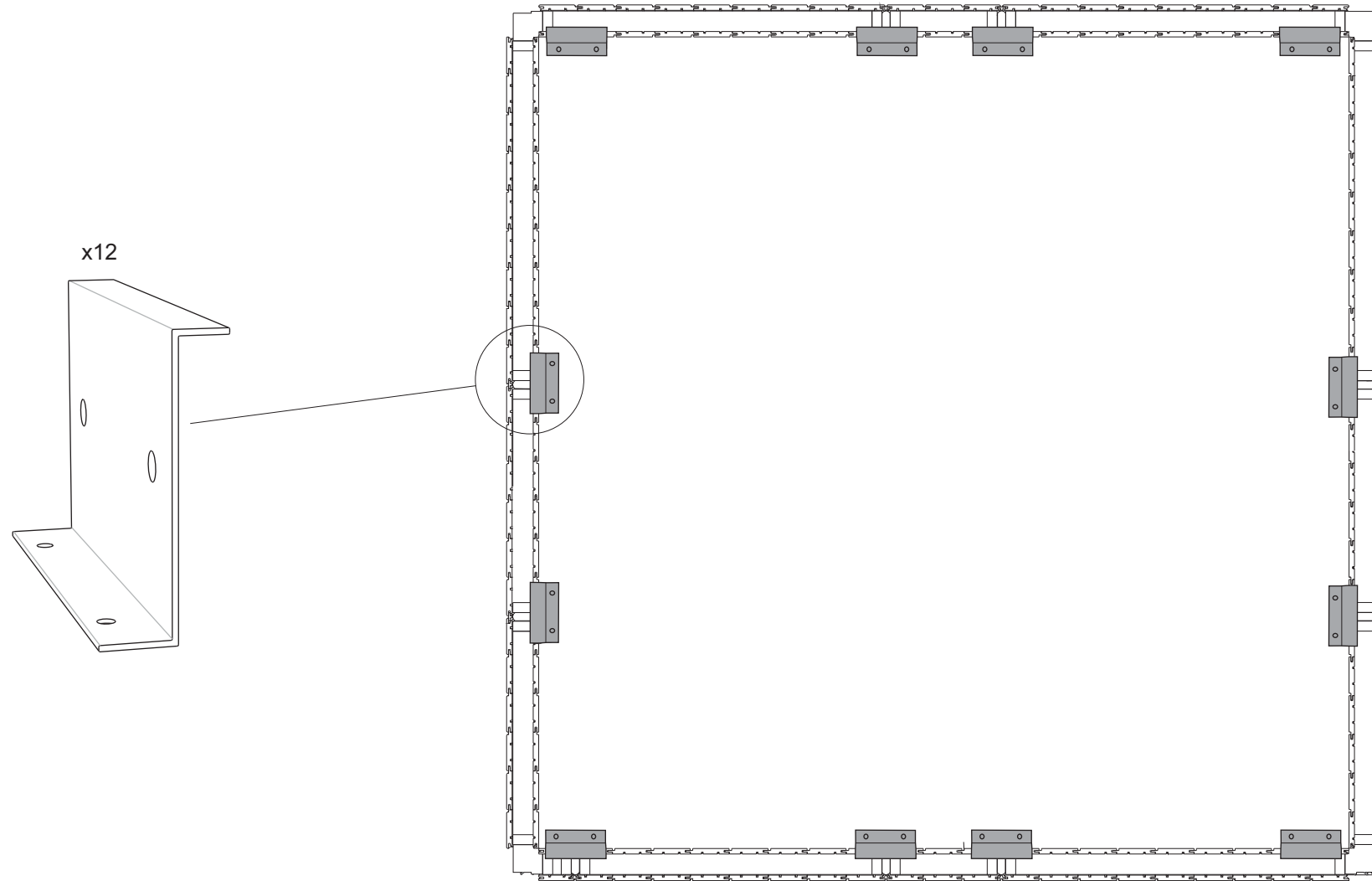
B



E

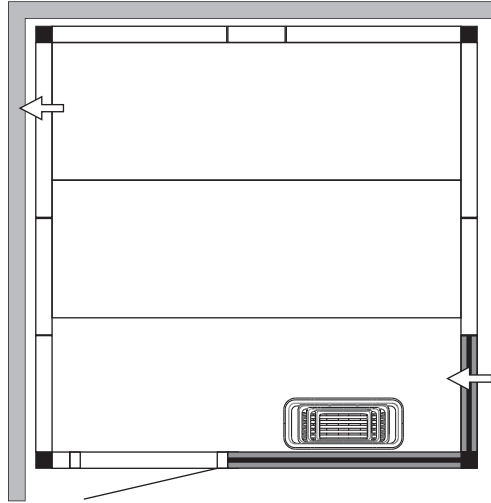
Placering av skarvprofil.
Montering - se monteringsanvisning av rummet.

Location of the joint profile
Assembly - see installation instructions of the room.

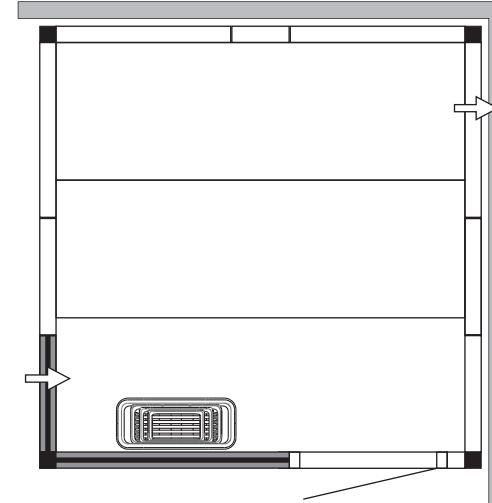


F Layouts 1919 PLUS GC

1919 PLUS GC Left



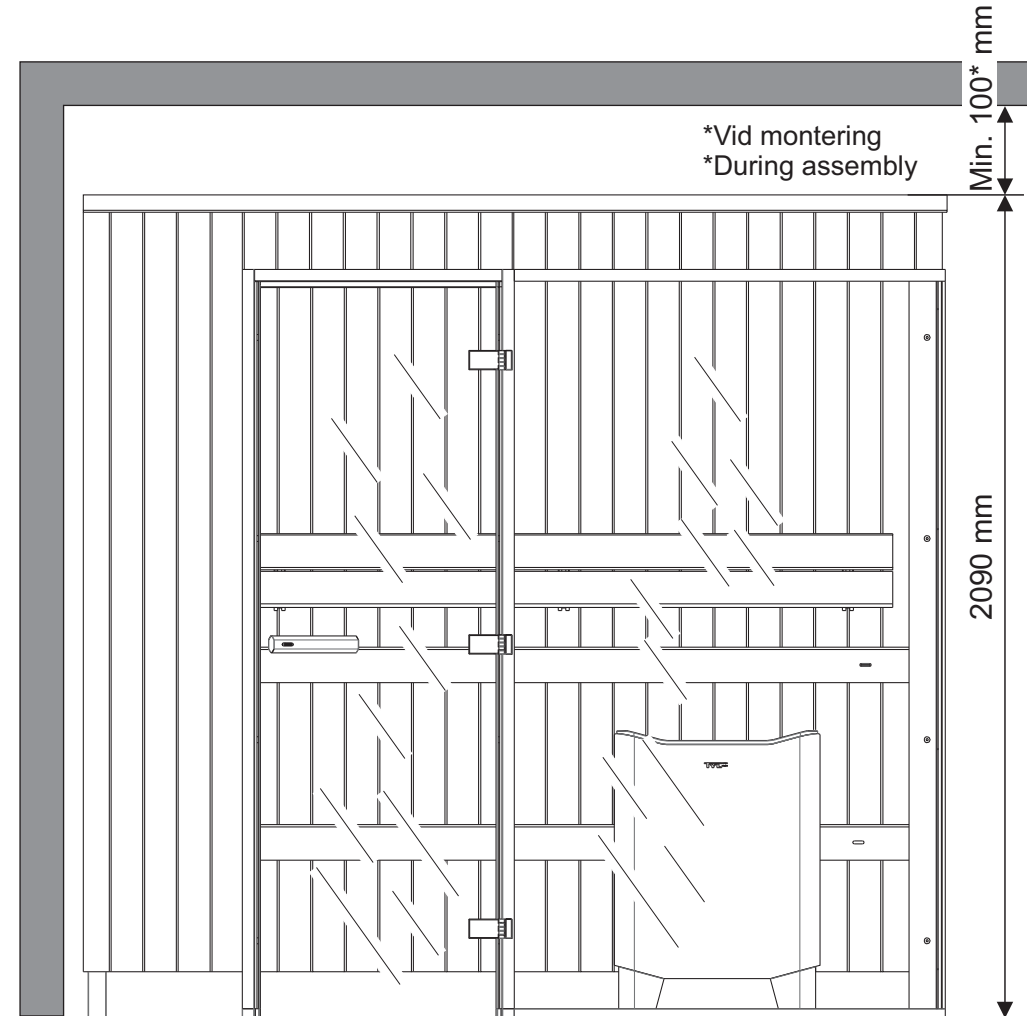
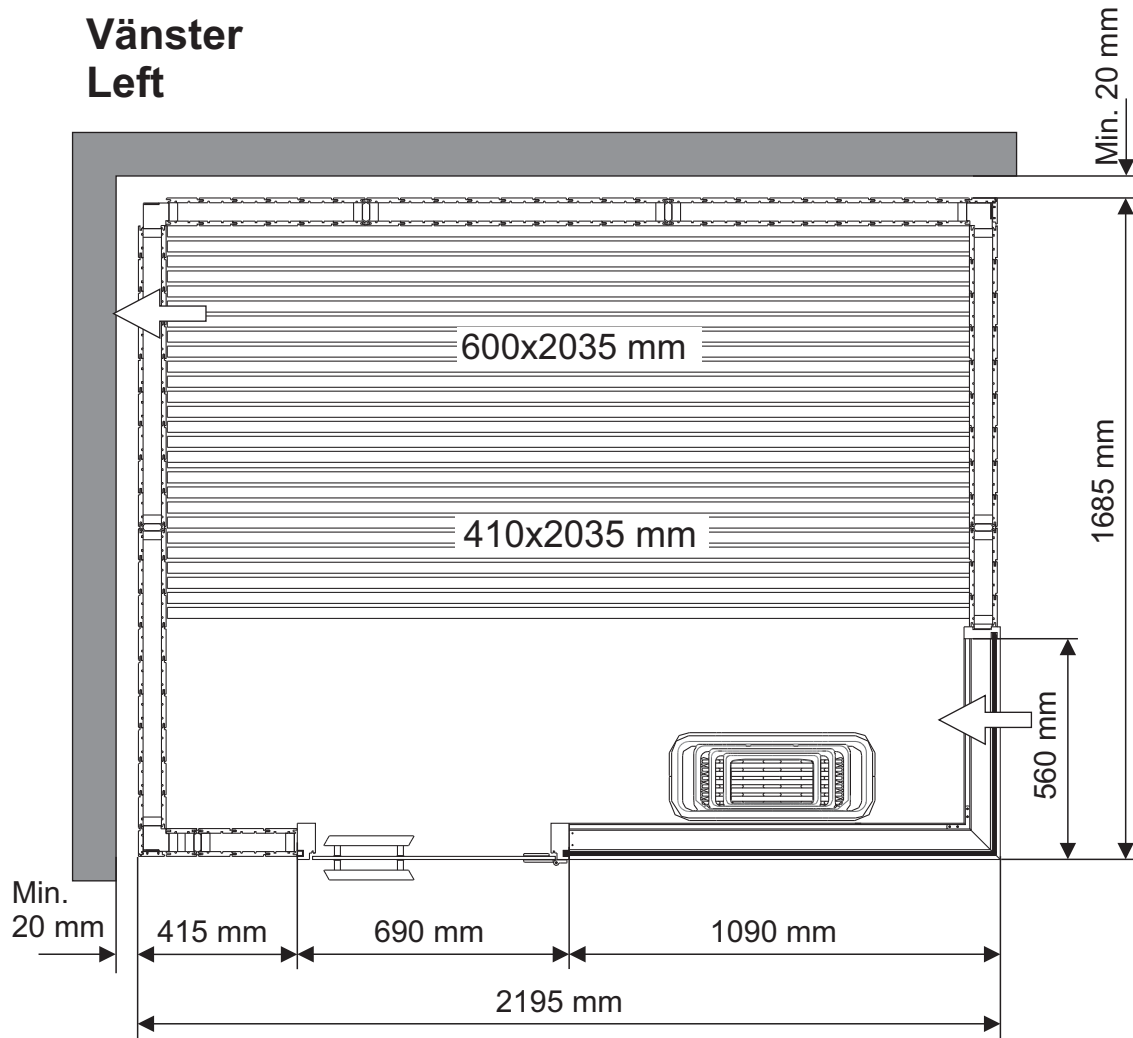
1919 PLUS GC Right



TYLÖ SAUNA E2217 PLUS GC

1301

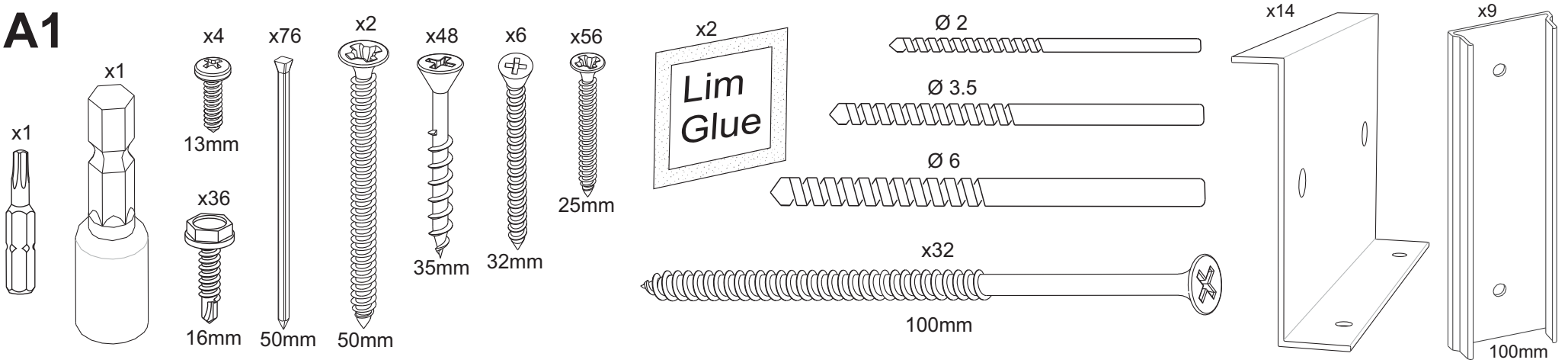
Vänster
Left



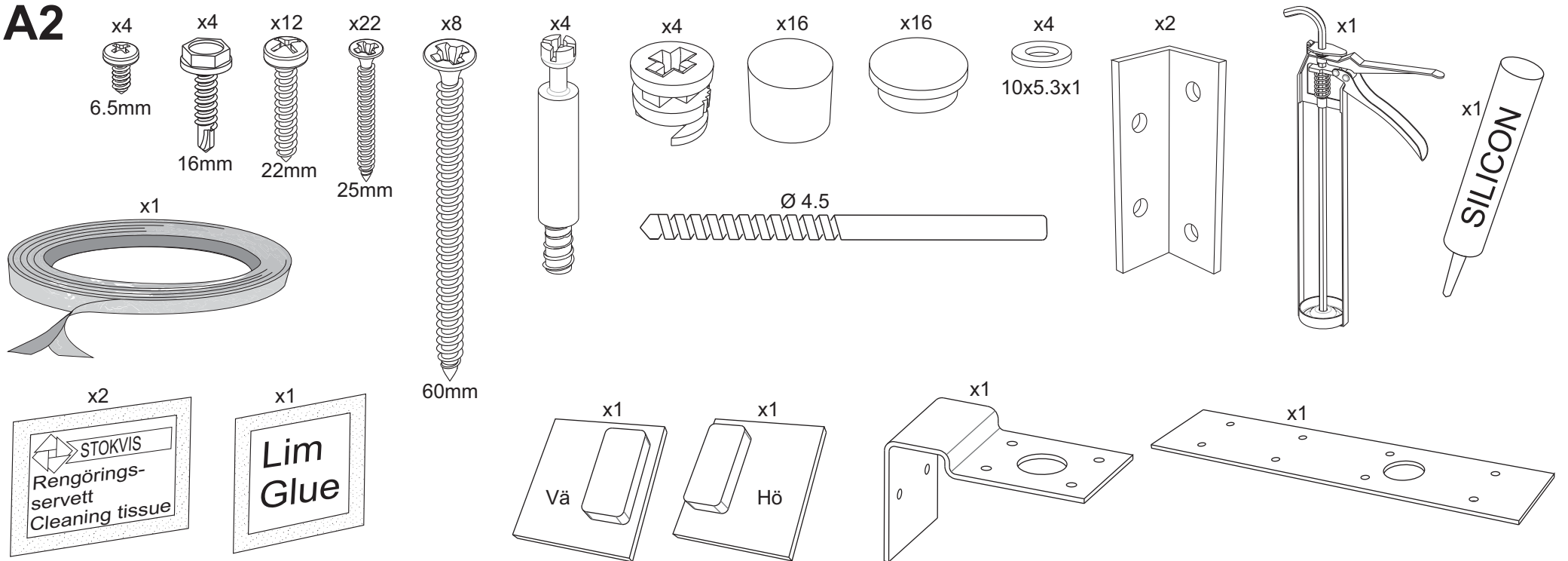
Art.nr 2900 4352

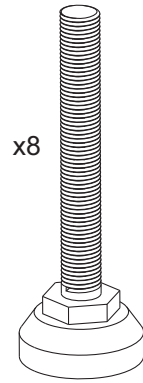
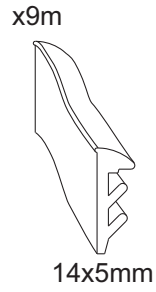
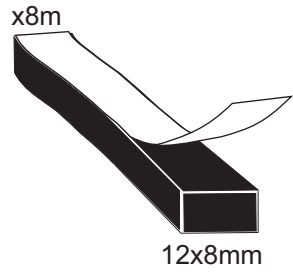
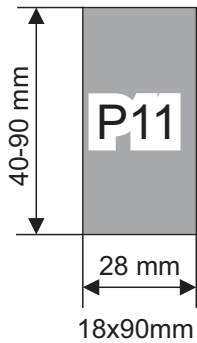
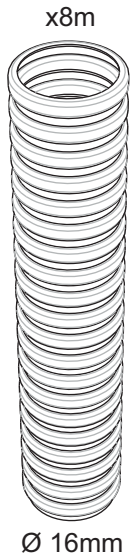
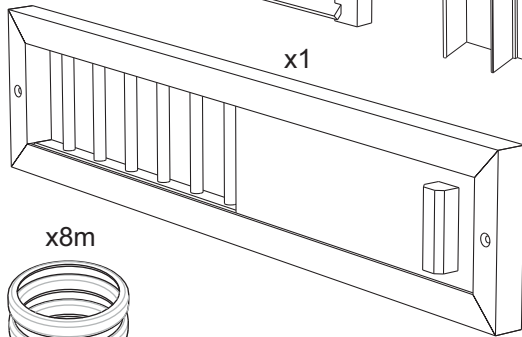
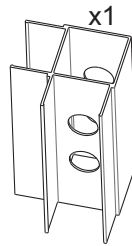
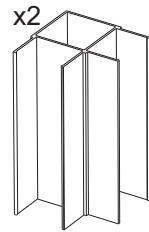
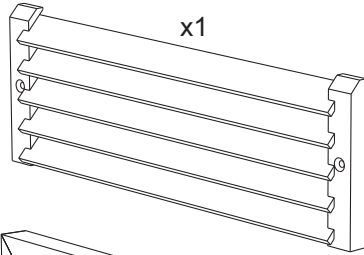
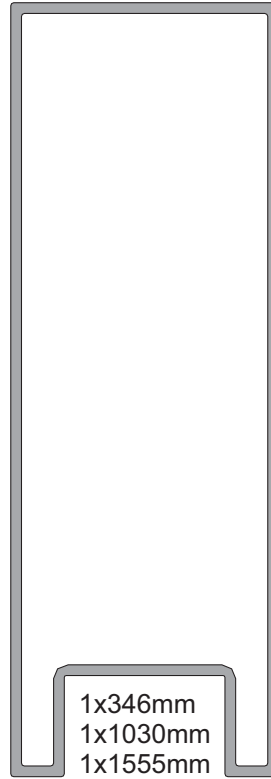
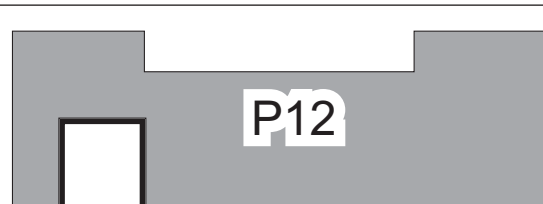
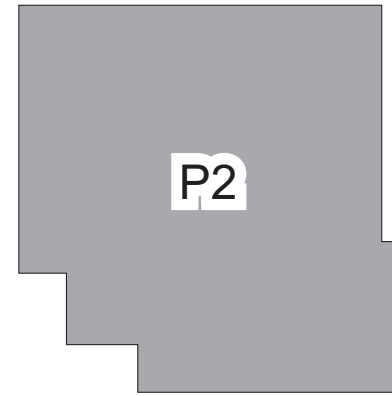
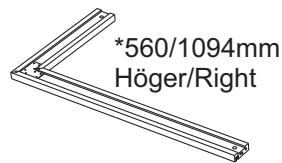
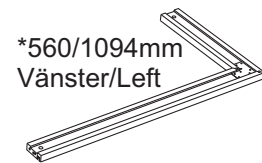
TYLÖ[®]
for the senses

A1



A2

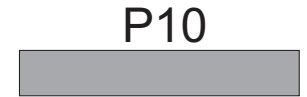
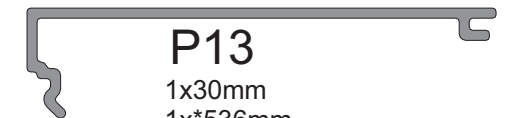
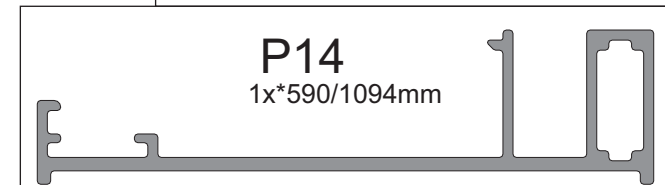
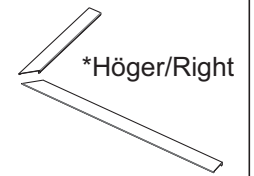
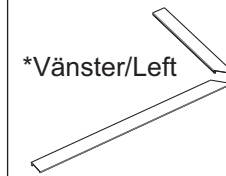
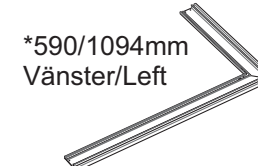


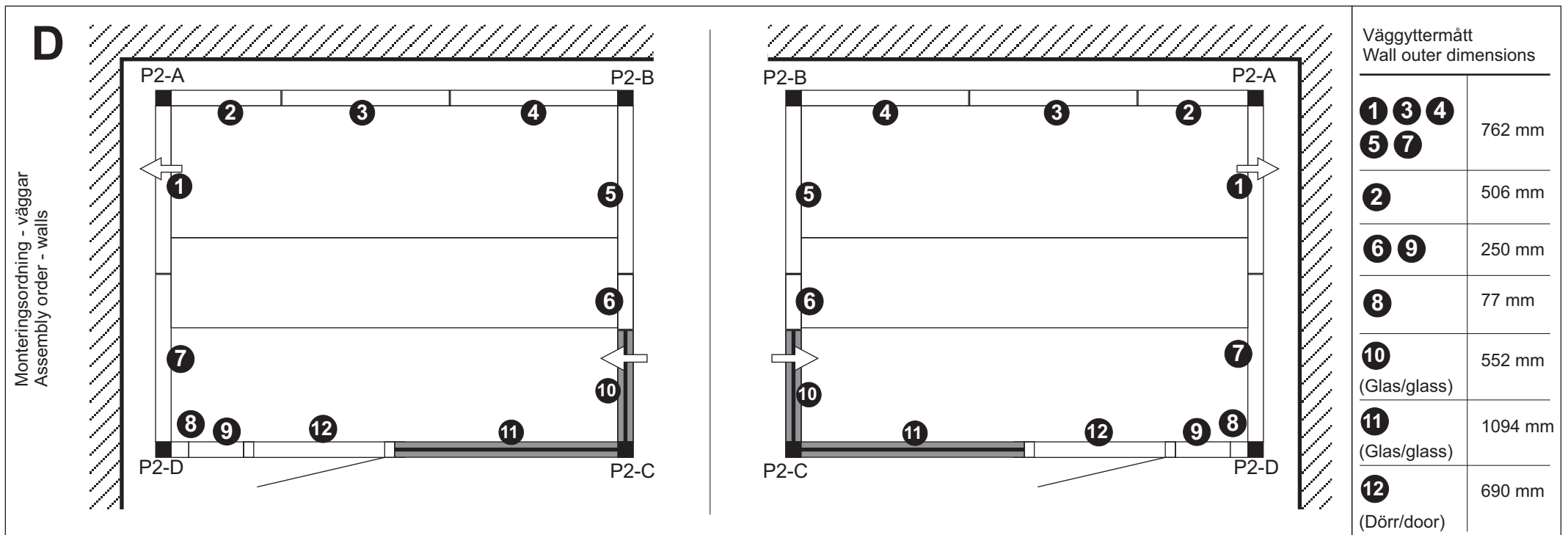
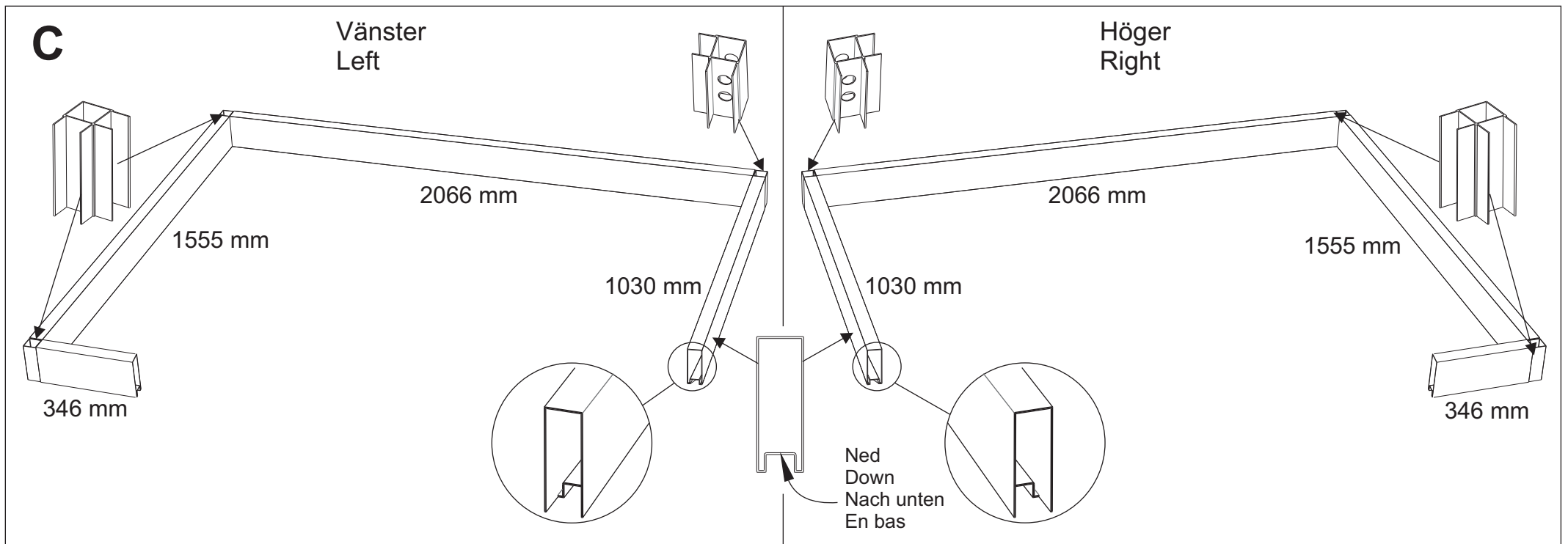
B**P1****P11****P12****P2****P3****P4****P5**

1x189mm
2x1970mm

**P8**

1x189mm
2x1970mm

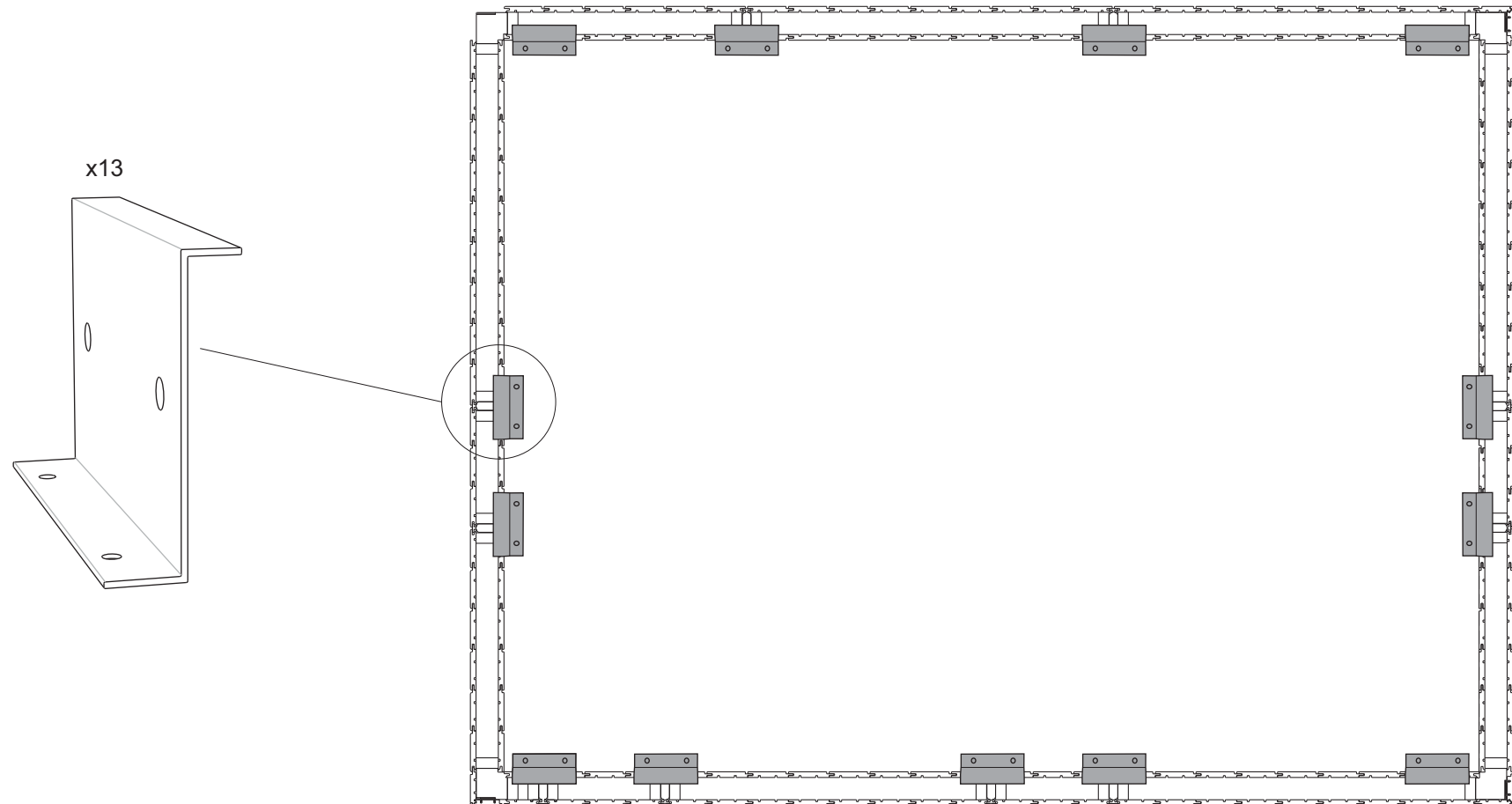
P9**P6****P7****P10****P13****P14**



E

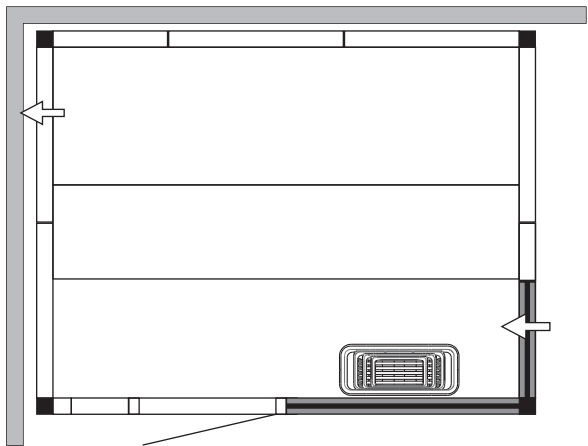
Placering av skarvprofil.
Montering - se monteringsanvisning av rummet.

Location of the joint profile
Assembly - see installation instructions of the room.

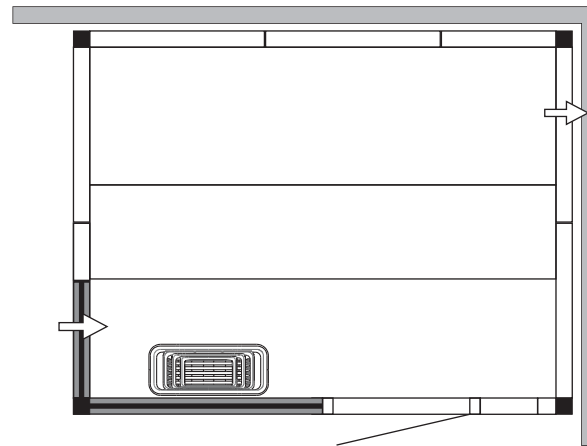


F Layouts 2217 PLUS GC

2217 PLUS GC Left



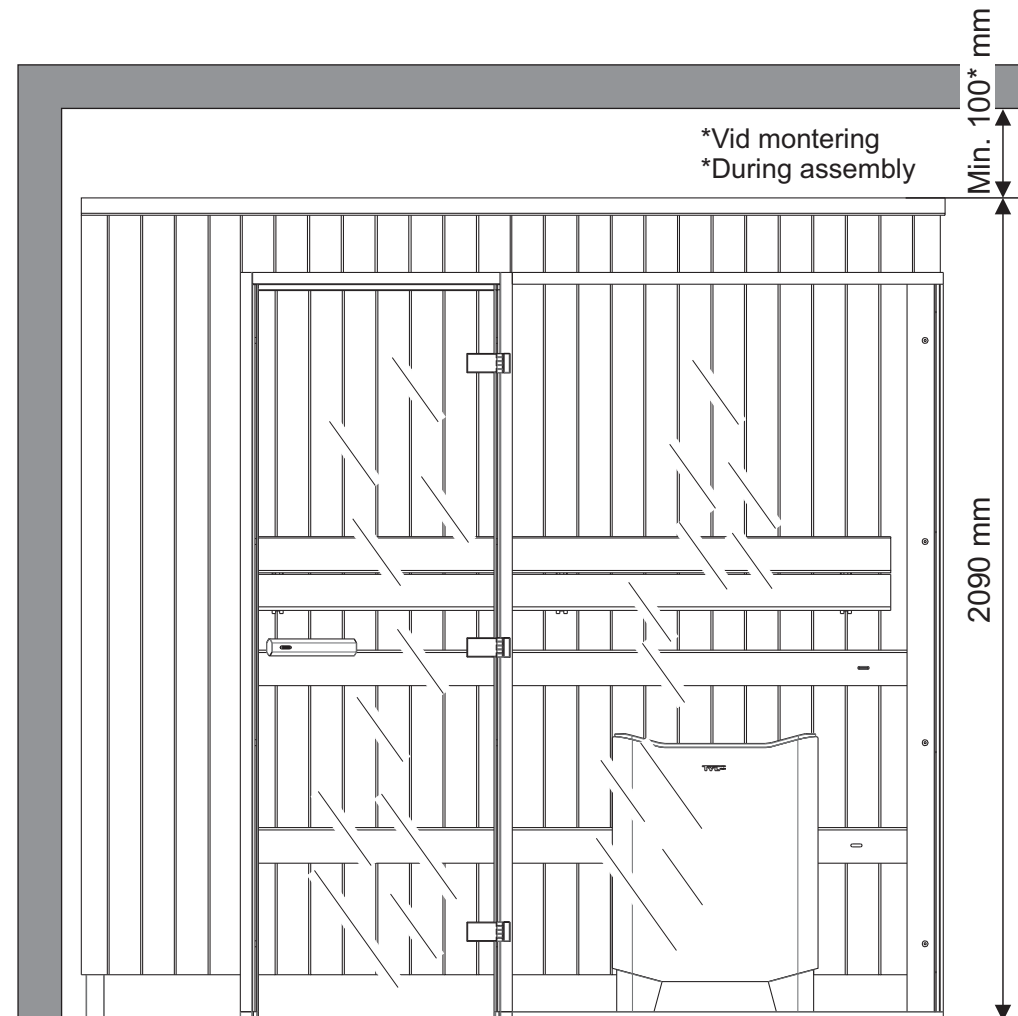
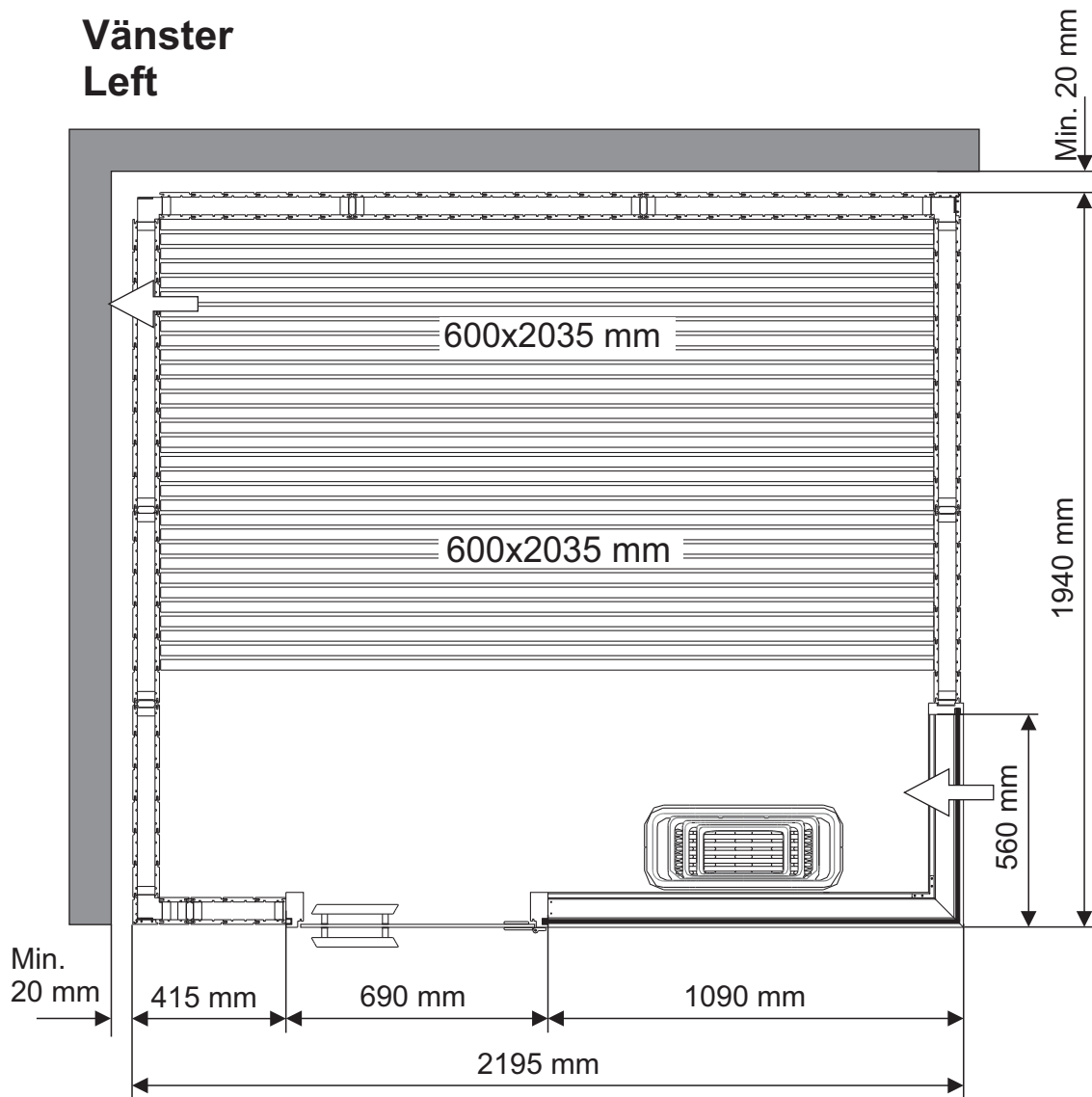
2217 PLUS GC Right



TYLÖ SAUNA E2219 PLUS GC

1301

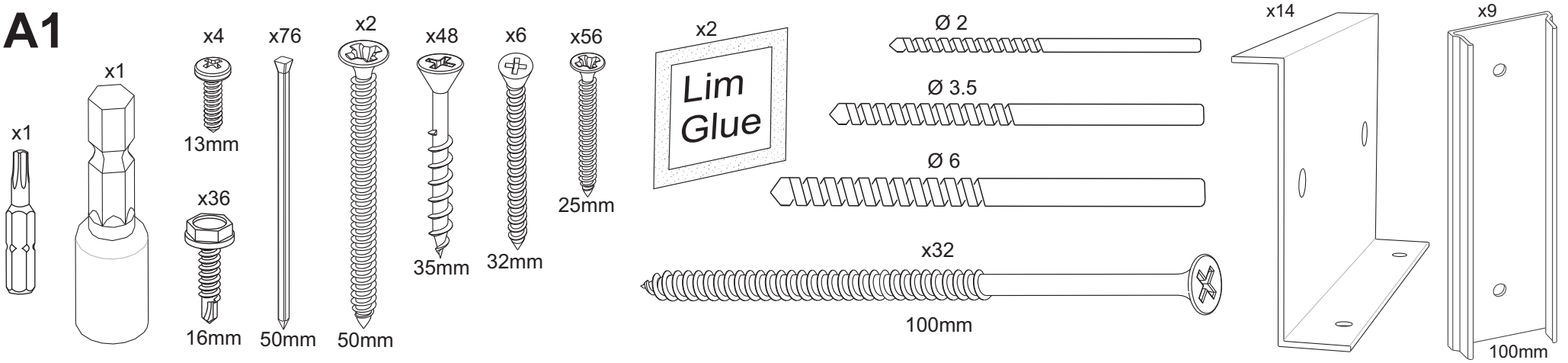
Vänster
Left



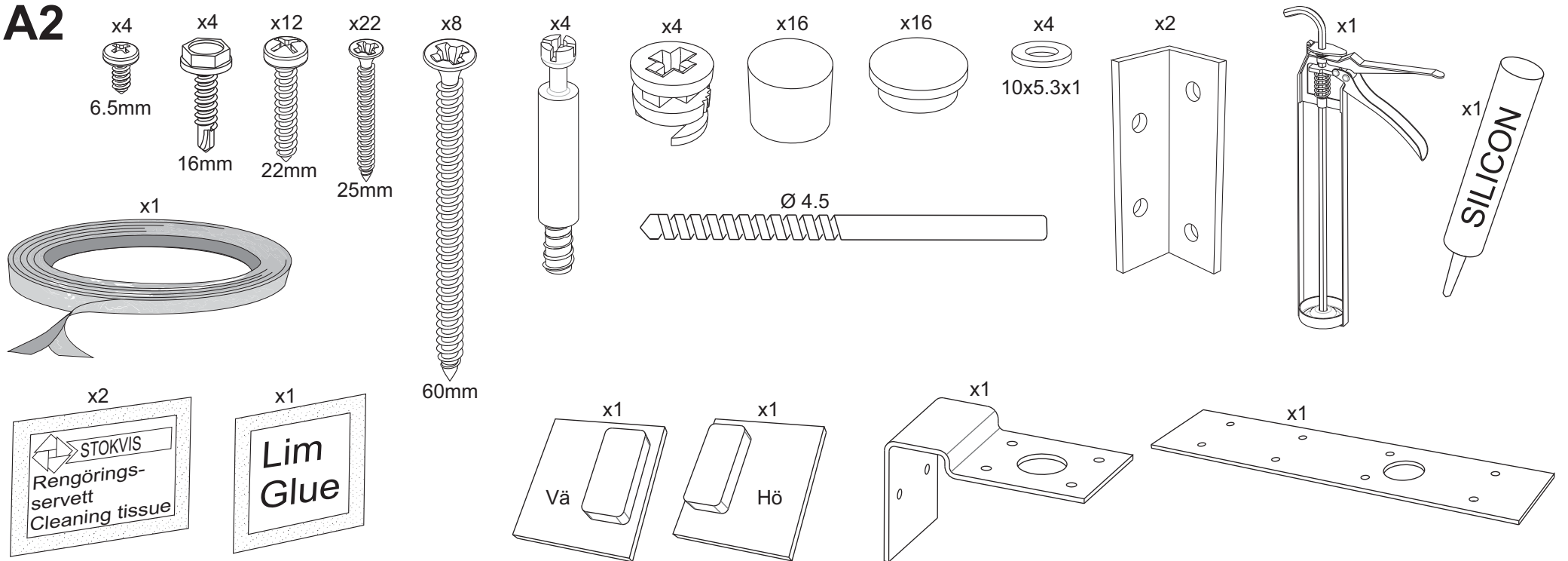
Art.nr 2900 4357

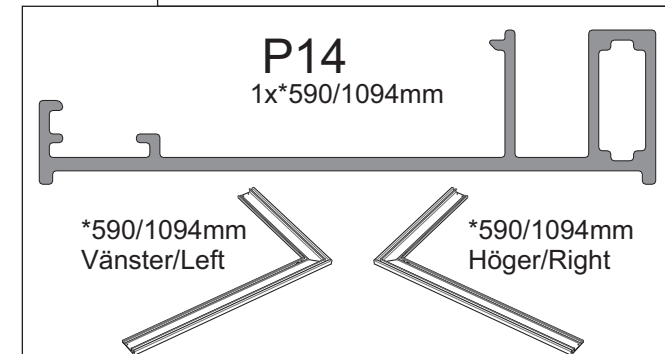
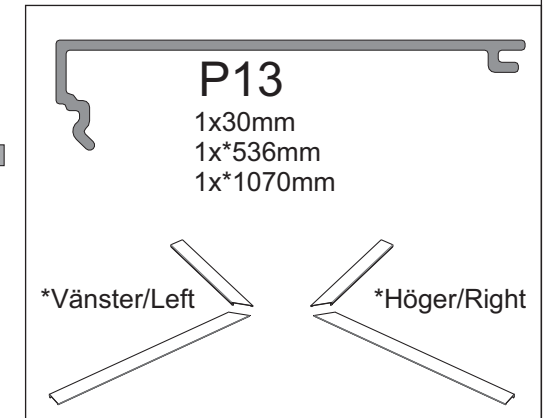
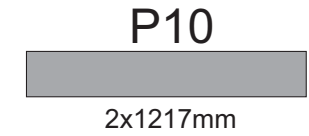
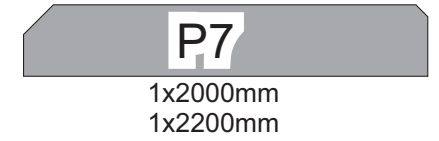
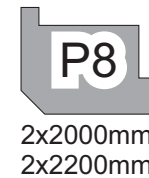
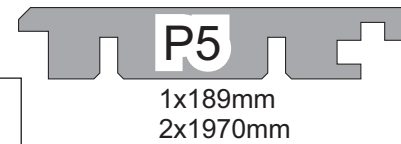
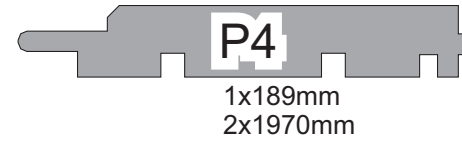
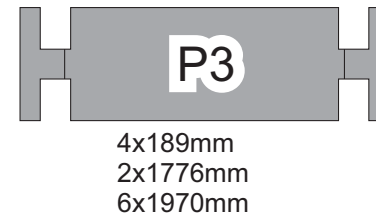
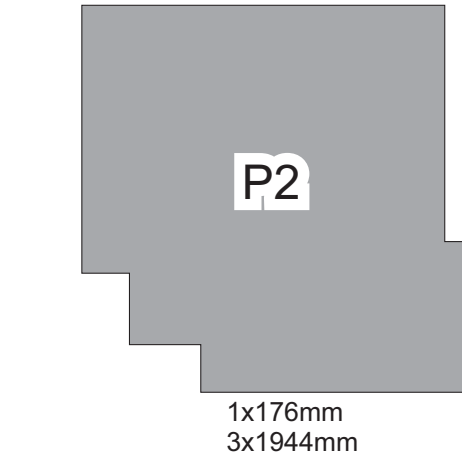
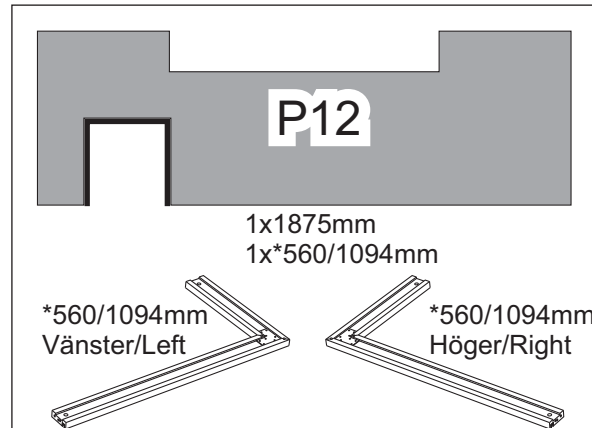
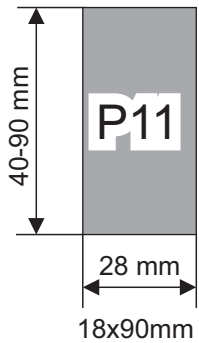
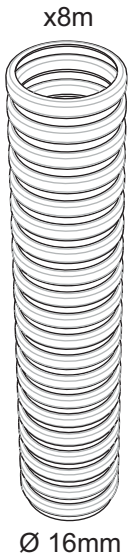
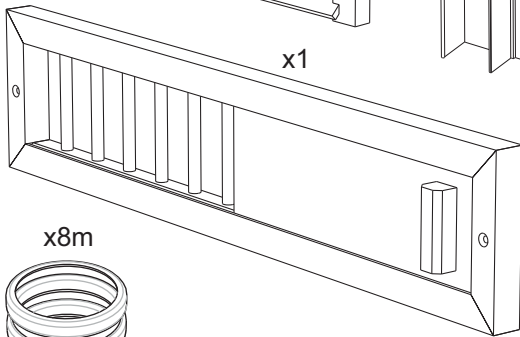
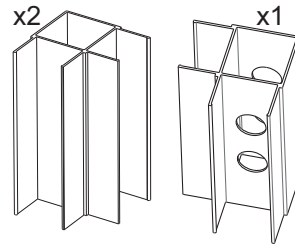
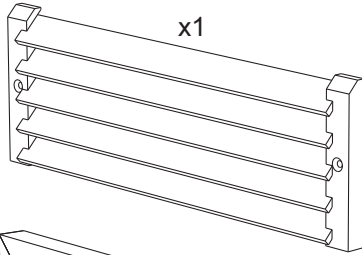
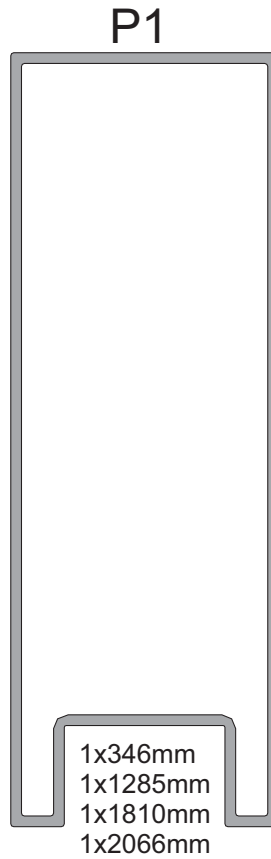
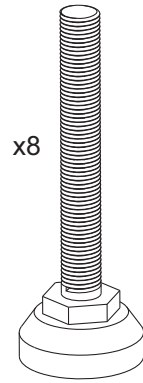
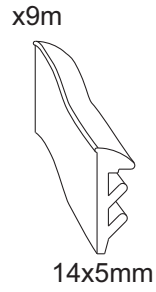
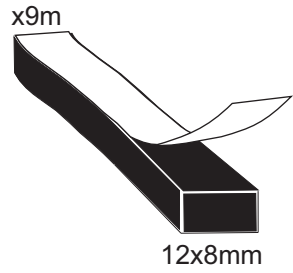
TYLÖ[®]
for the senses

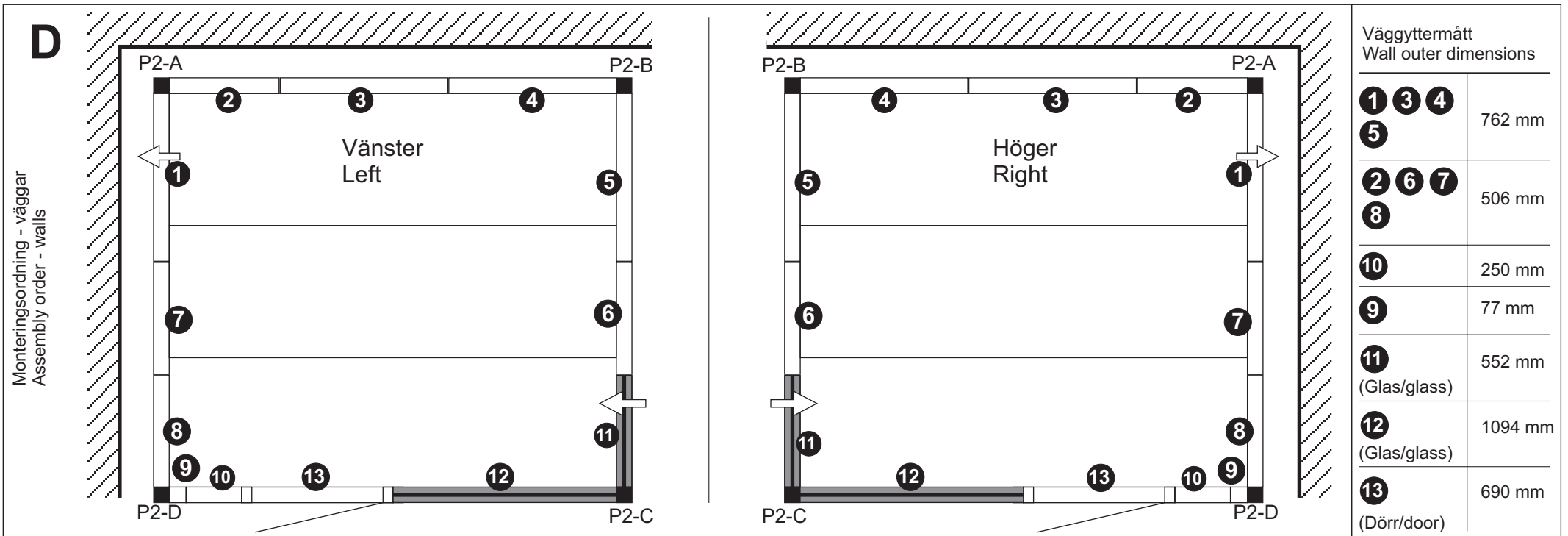
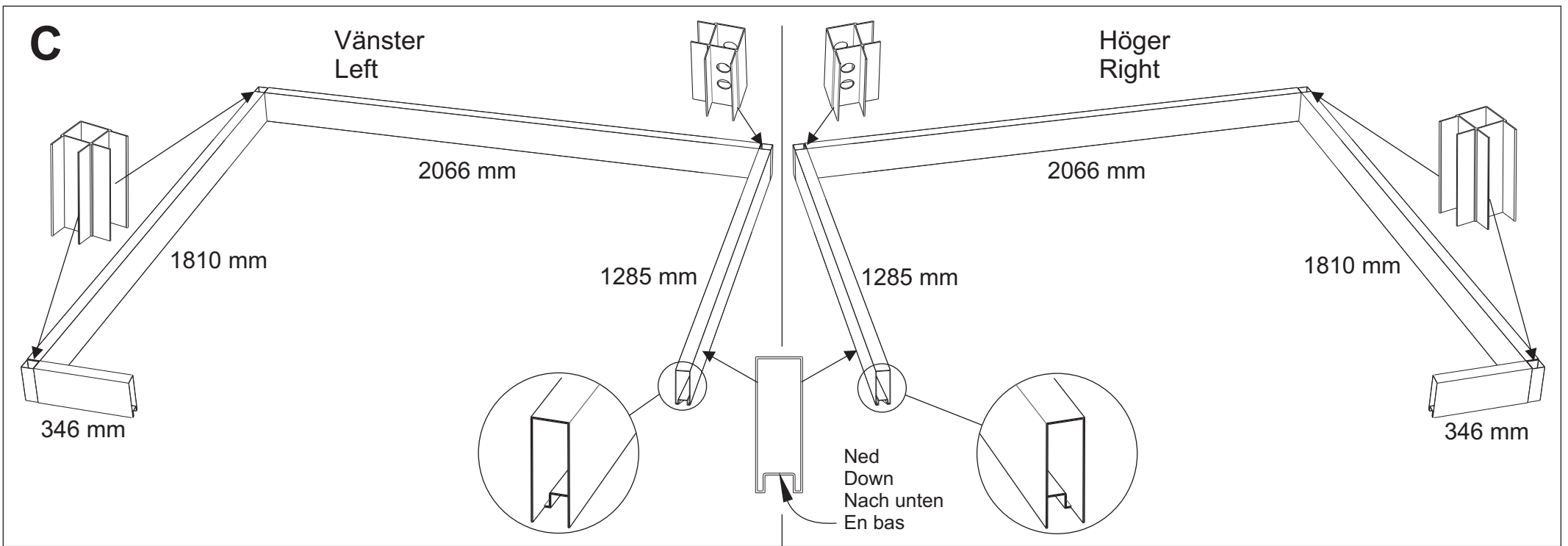
A1



A2



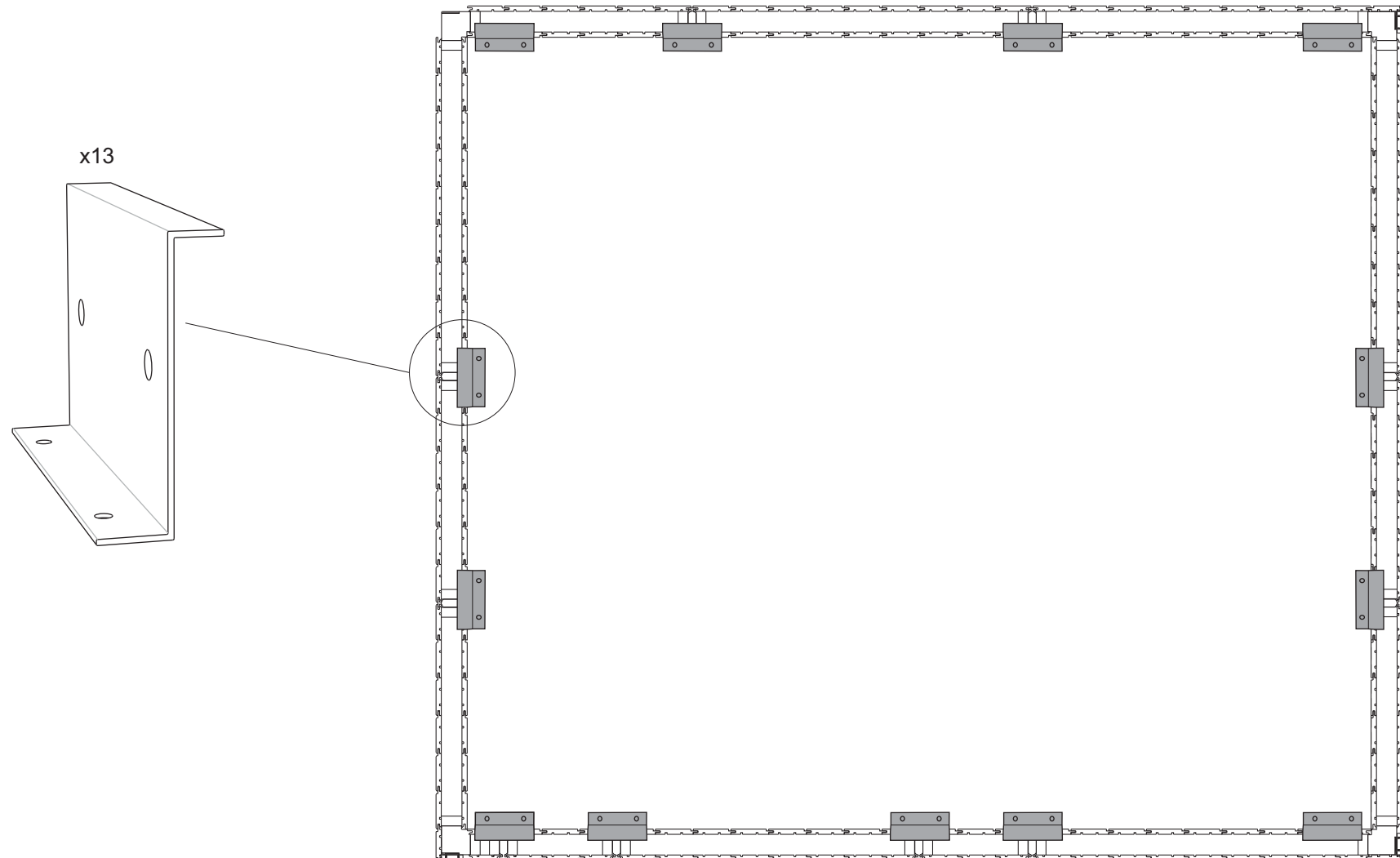
B



E

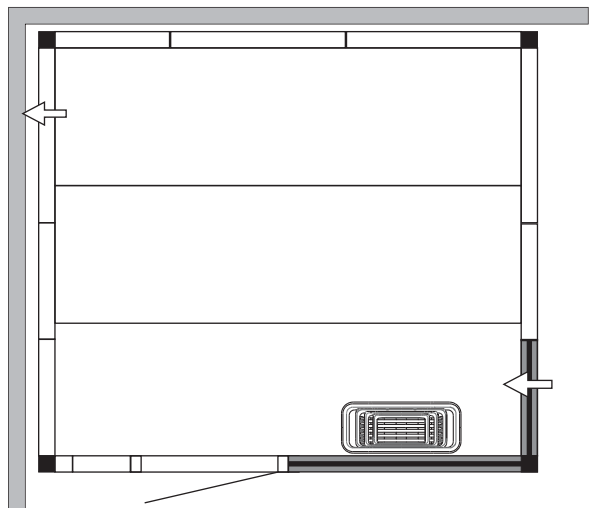
Placering av skarvprofil.
Montering - se monteringsanvisning av rummet.

Location of the joint profile
Assembly - see installation instructions of the room.

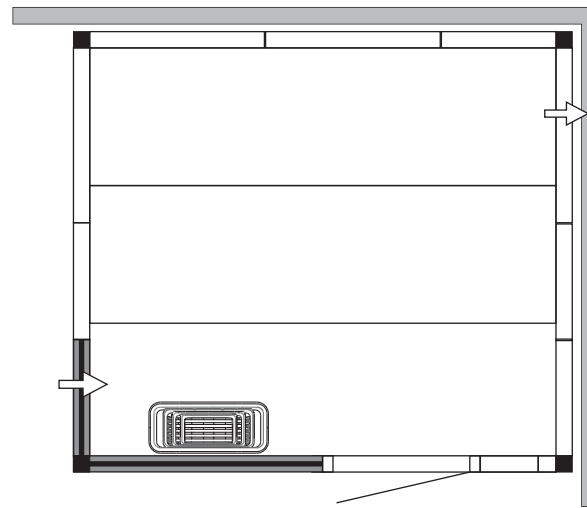


F Layouts 2219 PLUS GC

2219 PLUS GC Left



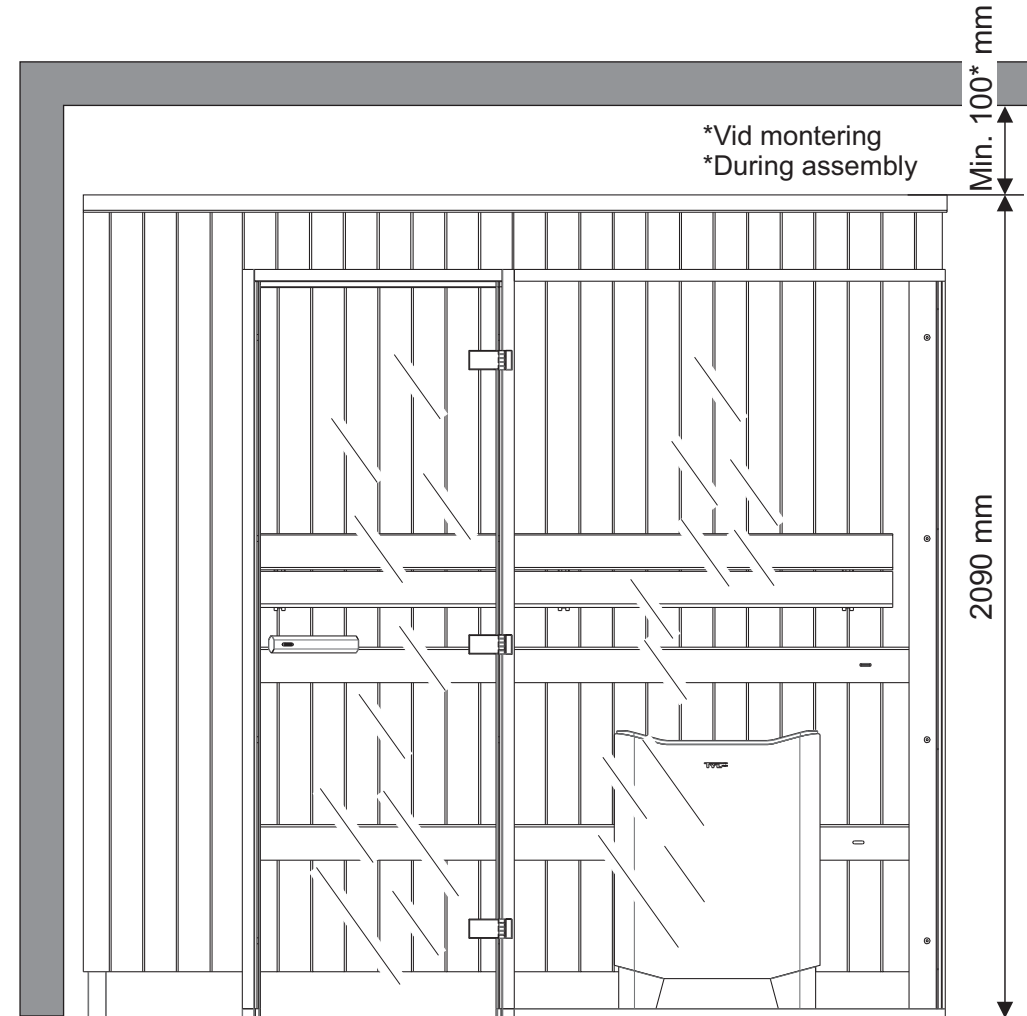
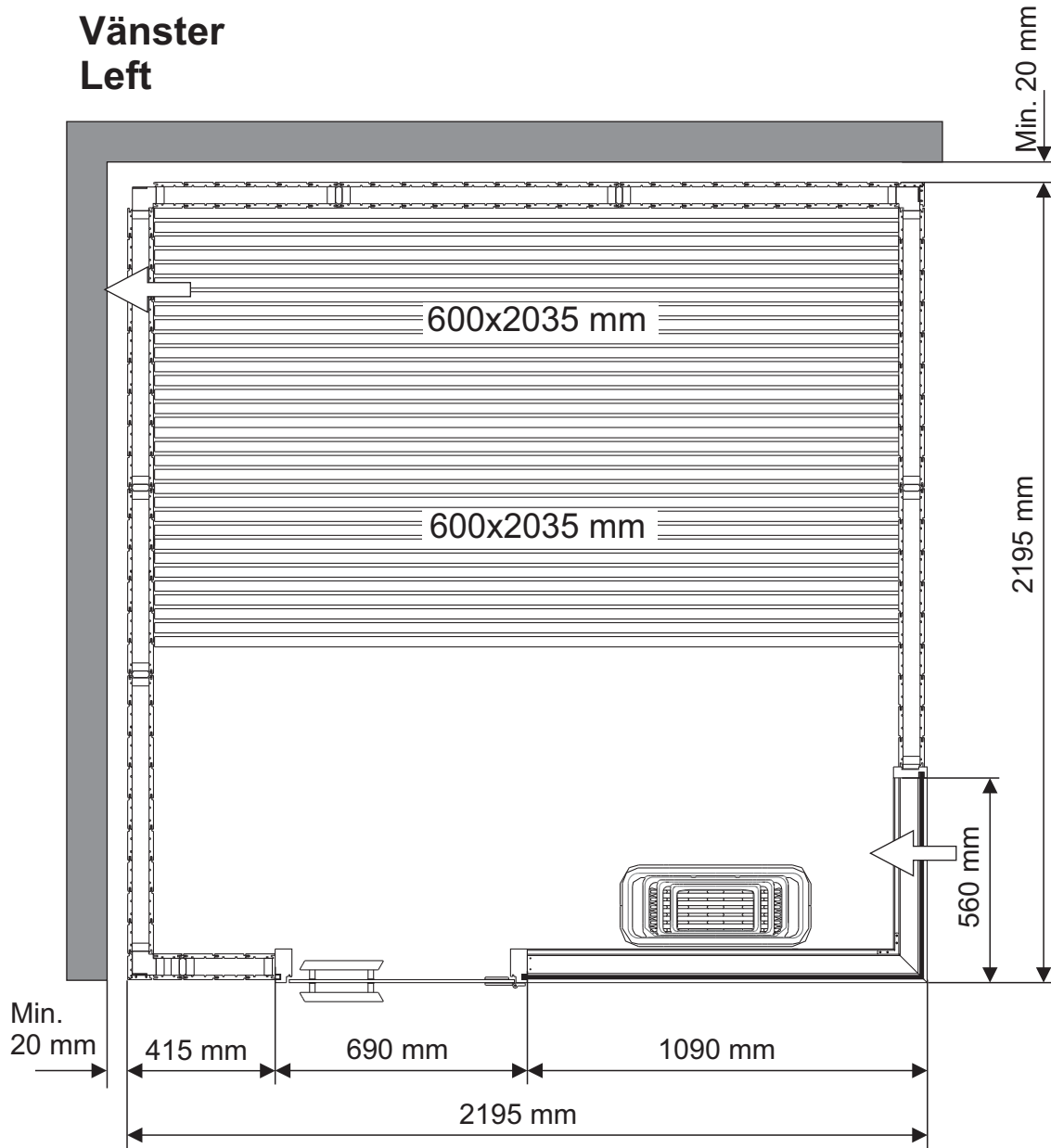
2219 PLUS GC Right



TYLÖ SAUNA E2222 PLUS GC

1301

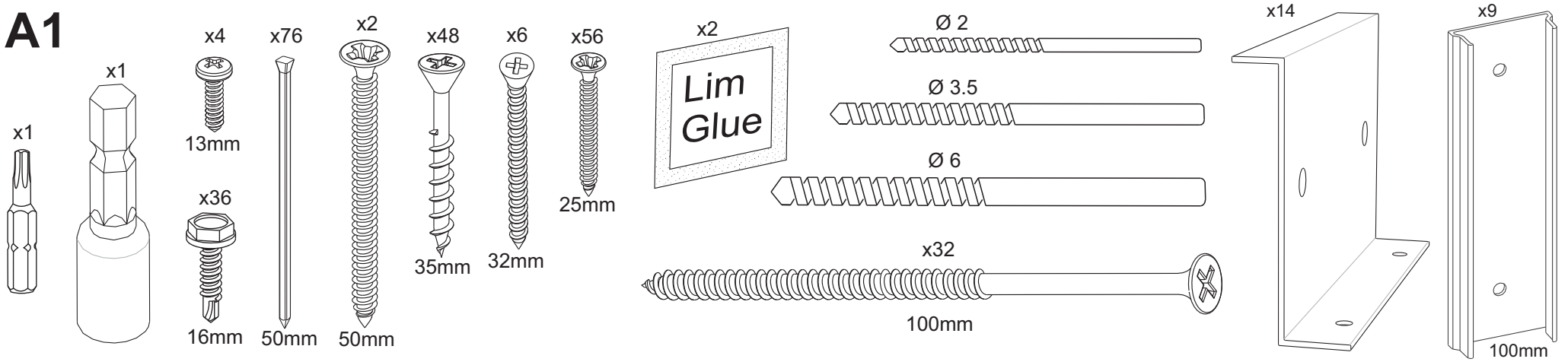
Vänster
Left



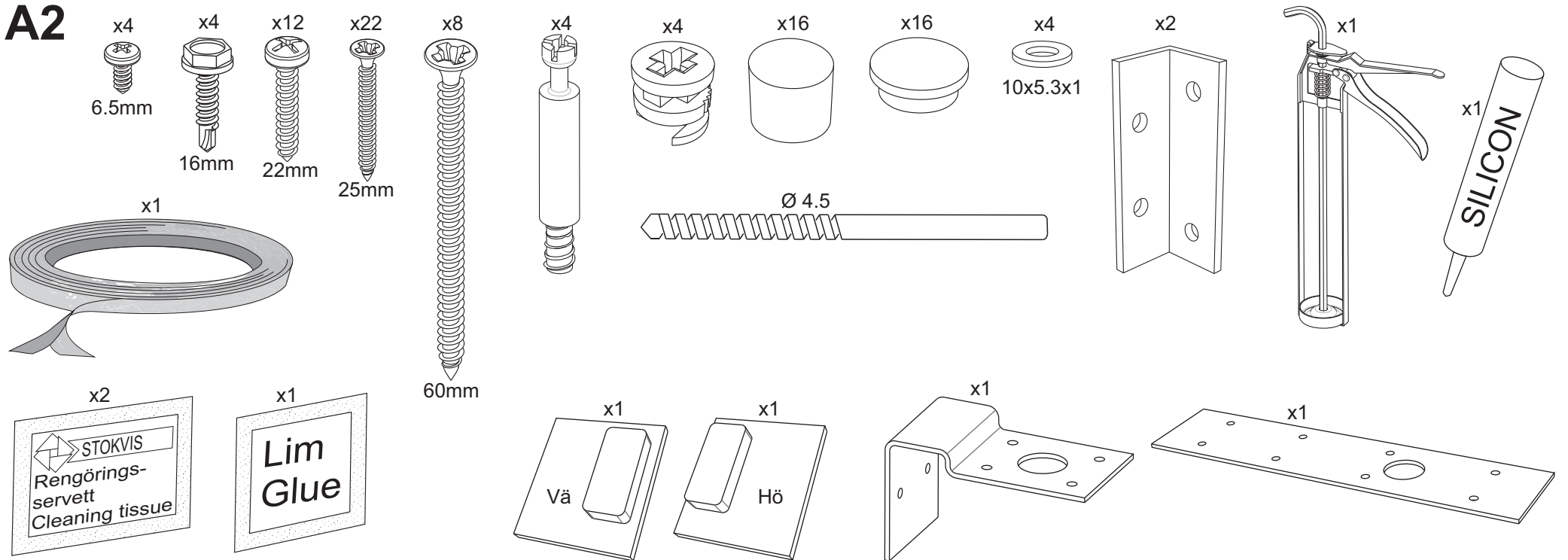
Art.nr 2900 4367

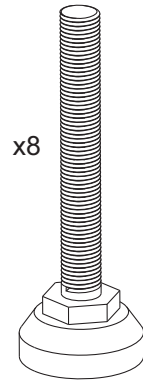
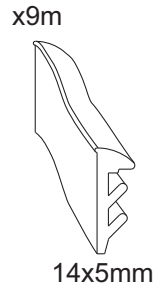
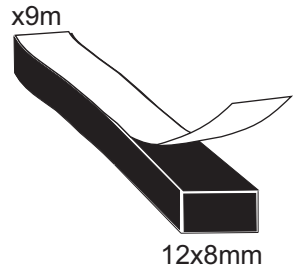
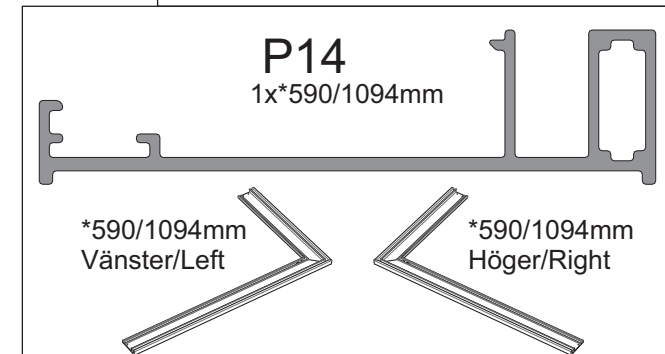
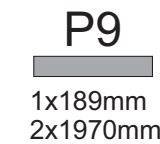
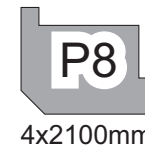
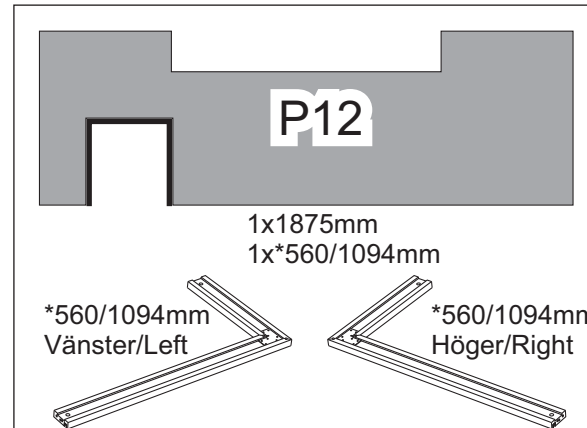
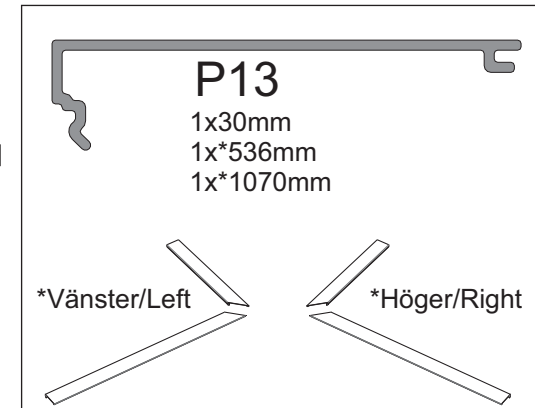
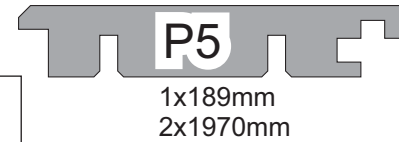
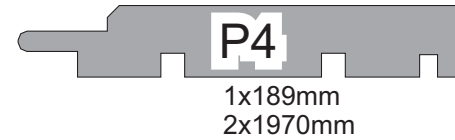
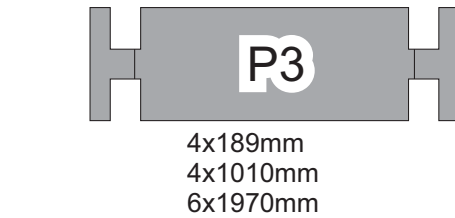
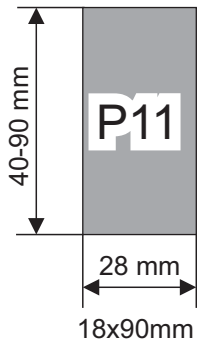
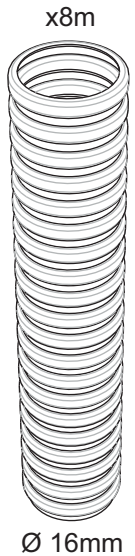
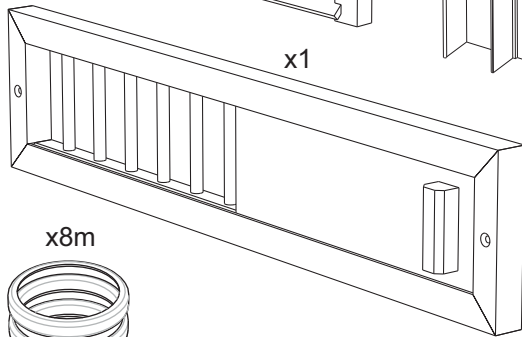
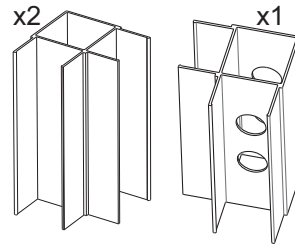
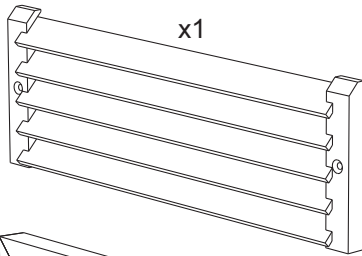
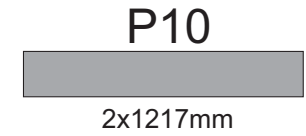
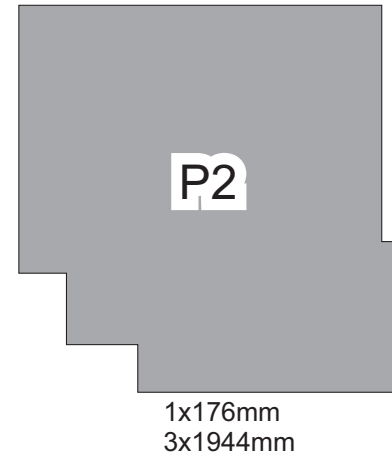
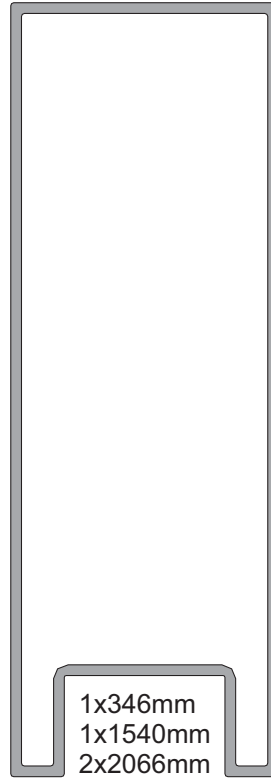
TYLÖ[®]
for the senses

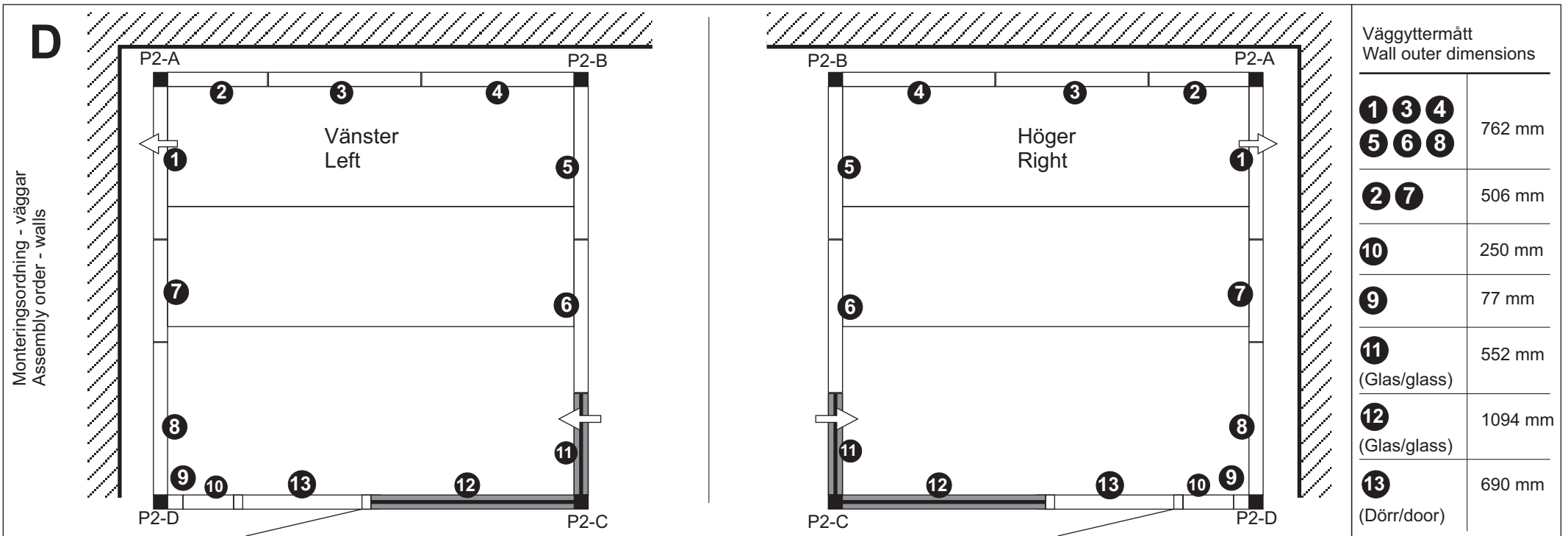
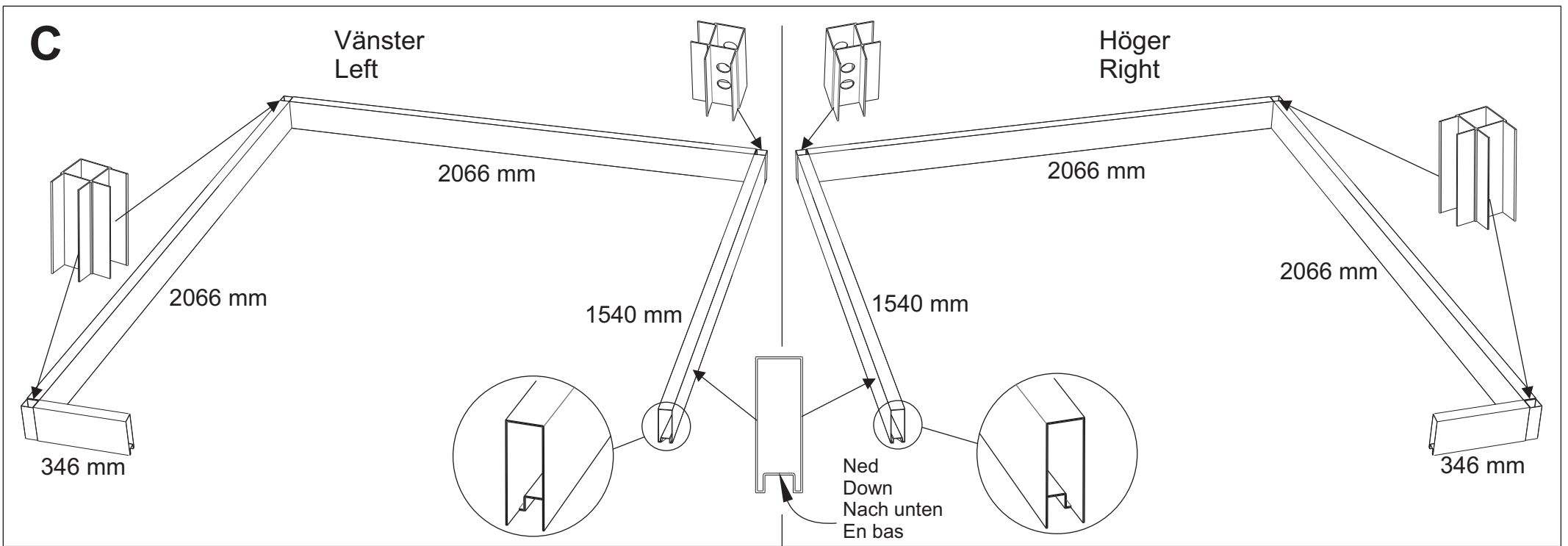
A1



A2



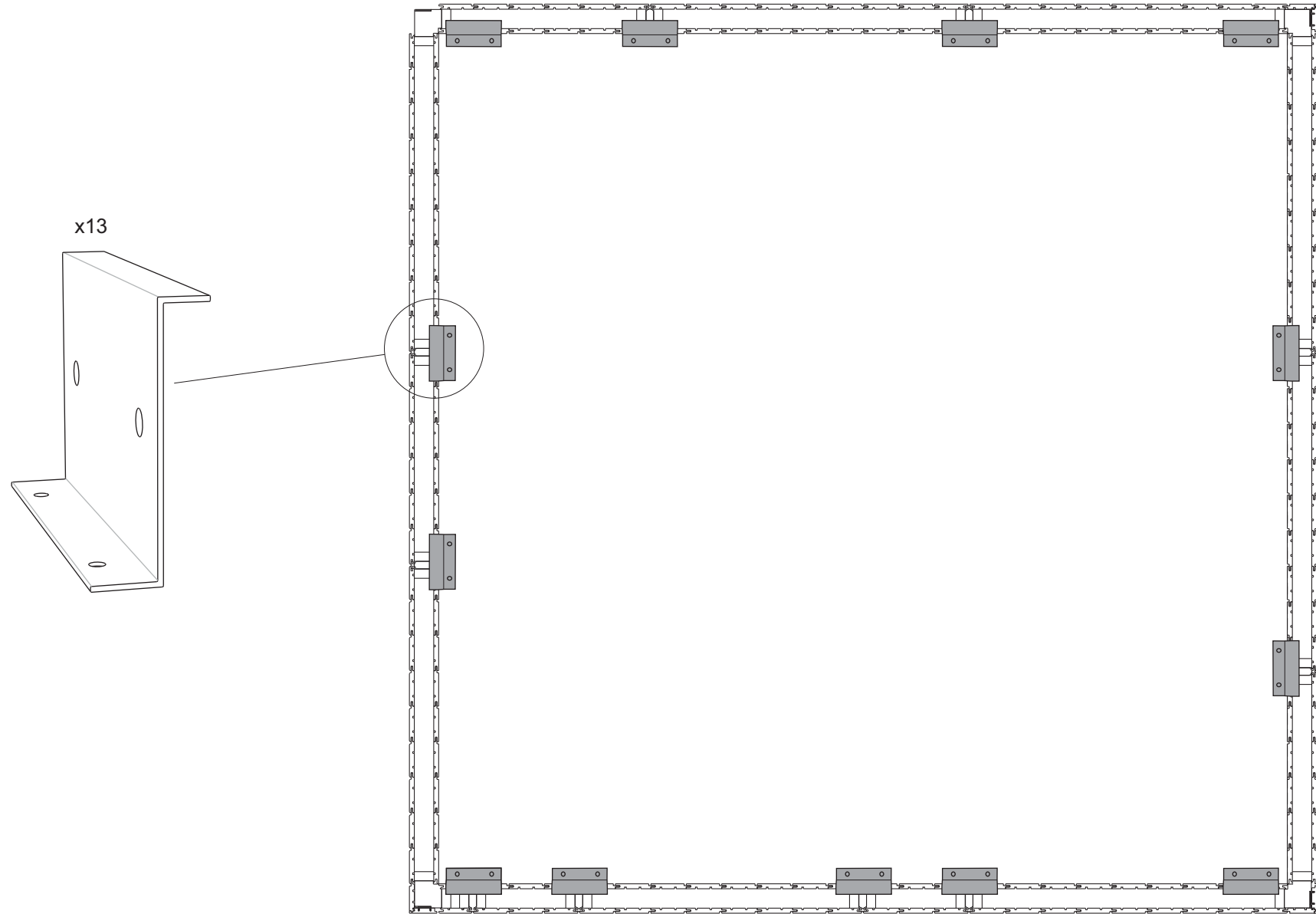
B**P1**



E

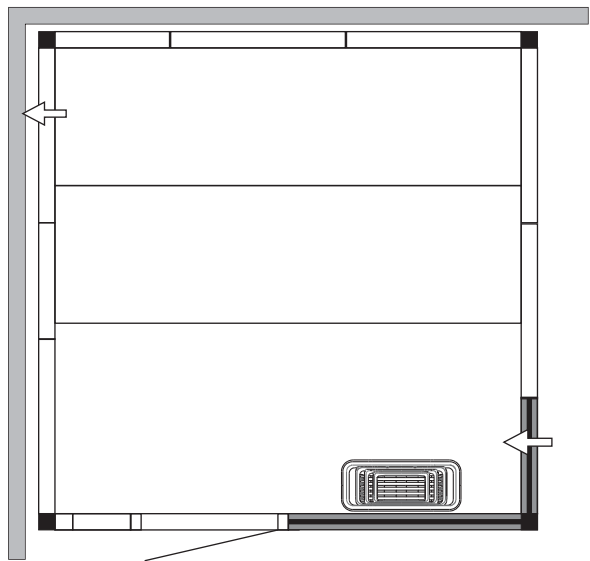
Placering av skarvprofil.
Montering - se monteringsanvisning av rummet.

Location of the joint profile
Assembly - see installation instructions of the room.

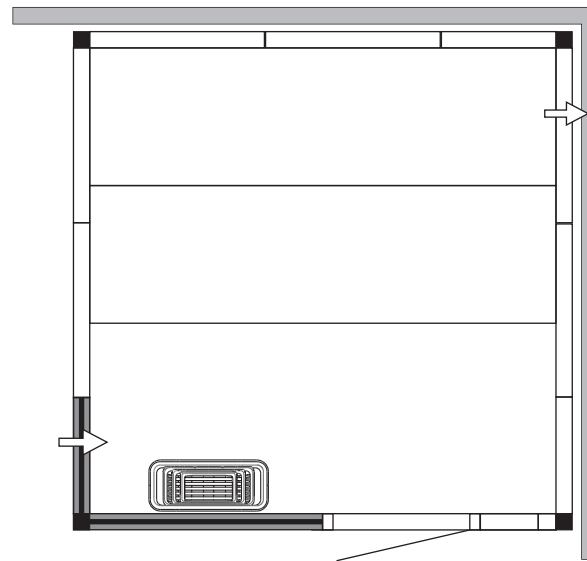


F Layouts 2222 PLUS GC

2222 PLUS GC Left



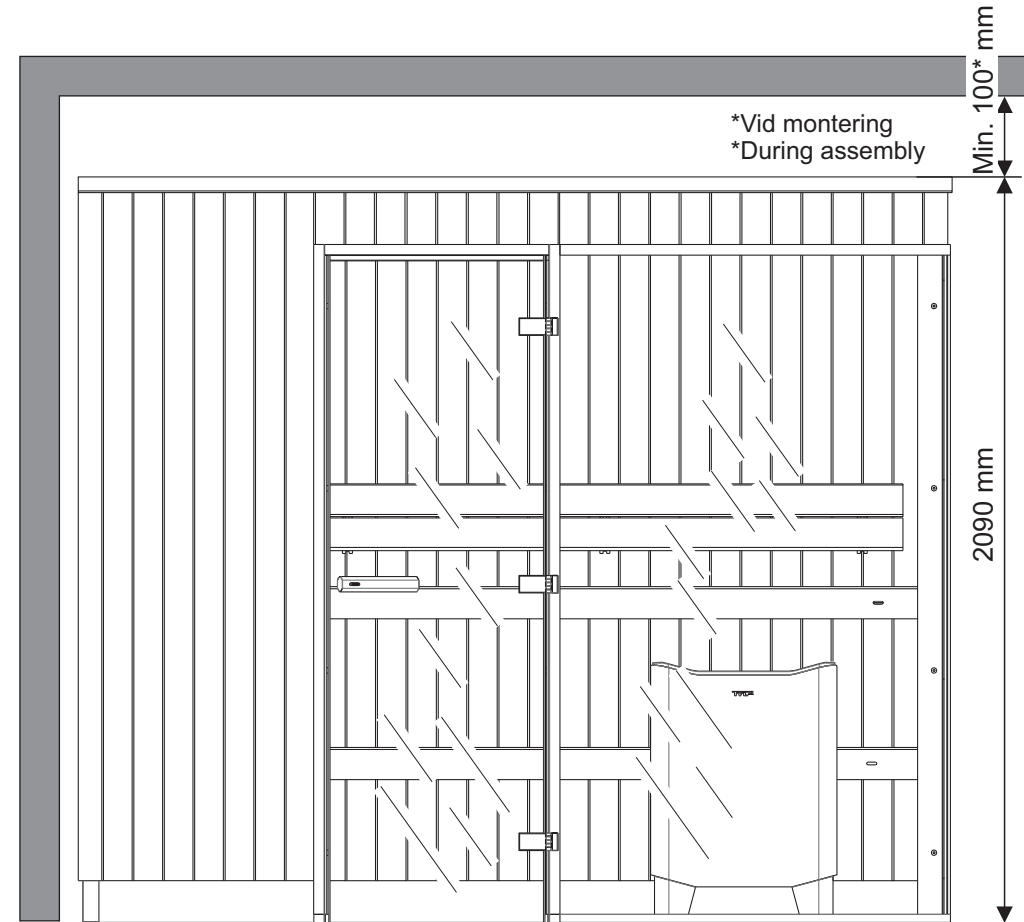
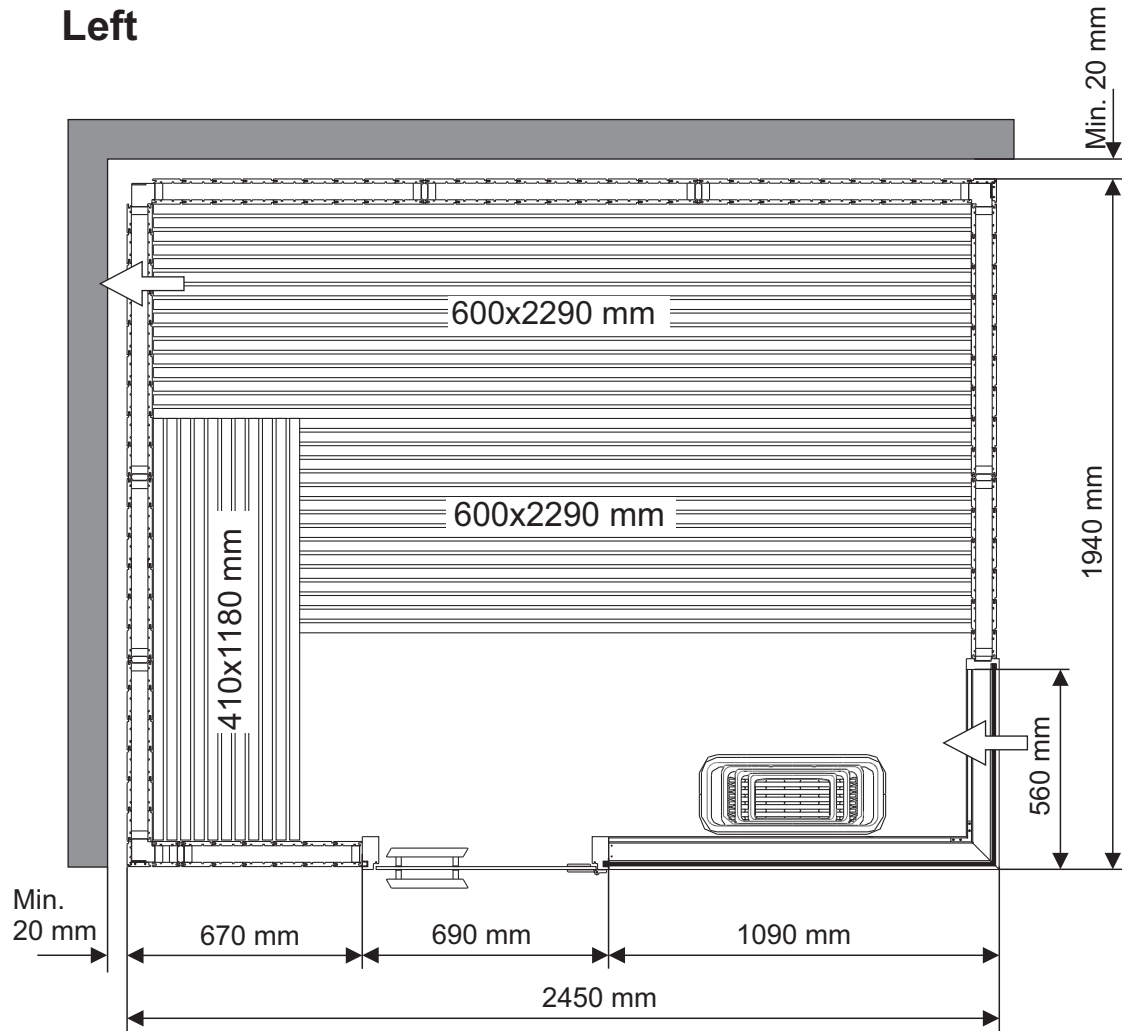
2222 PLUS GC Right



TYLÖ SAUNA E2419 PLUS GC

1301

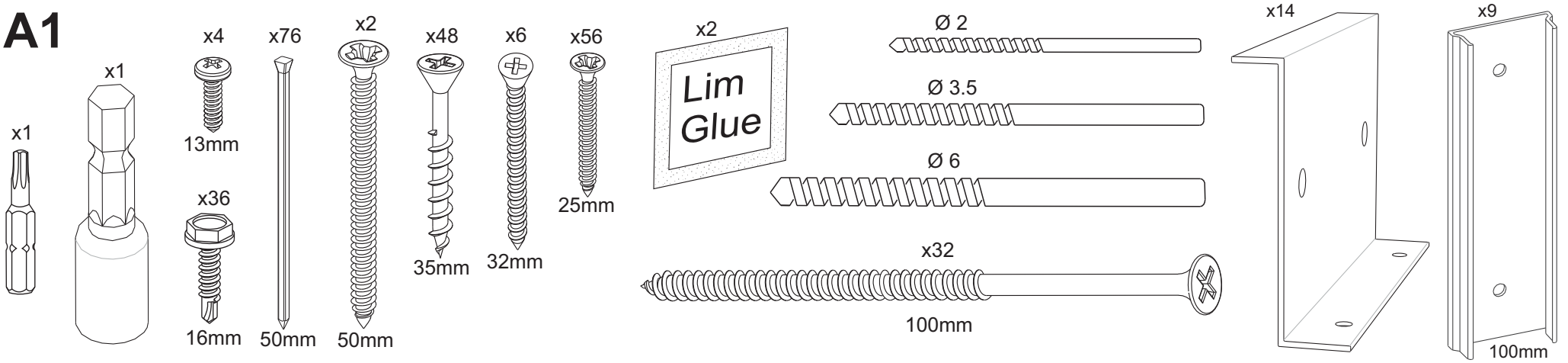
Vänster
Left



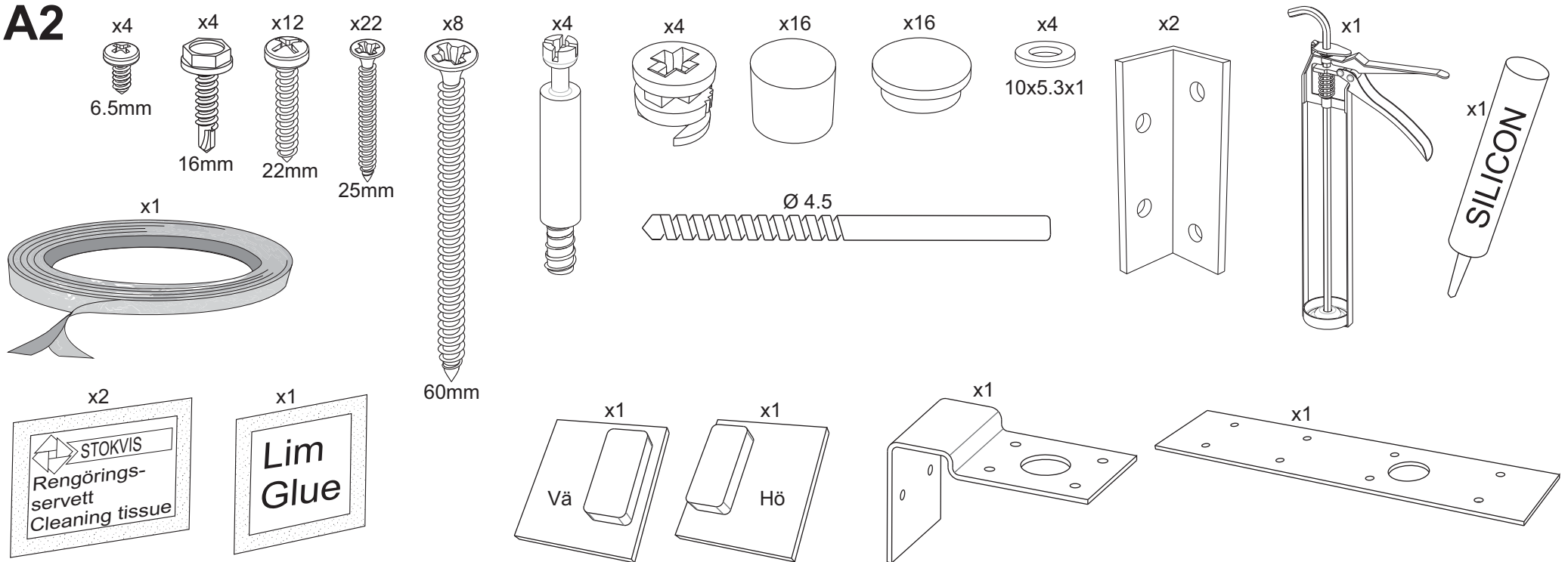
Art.nr 2900 4372

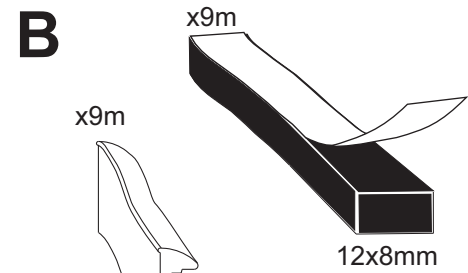
TYLÖ[®]
for the senses

A1



A2



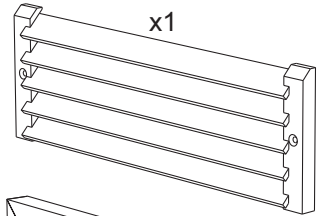
B

x9m

x9m

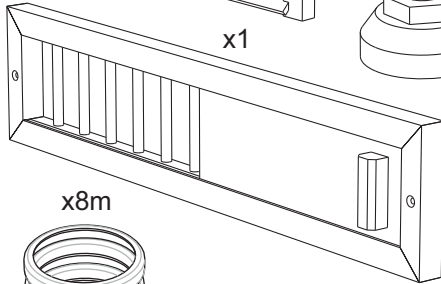
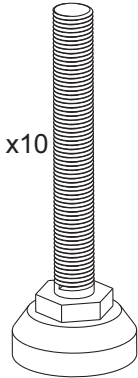
12x8mm

14x5mm



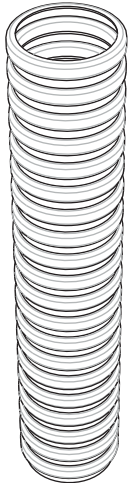
x1

x10

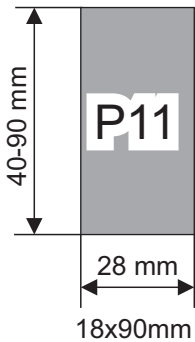


x1

x8m



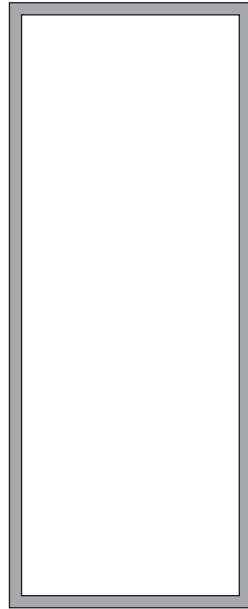
Ø 16mm



40-90 mm

28 mm

18x90mm

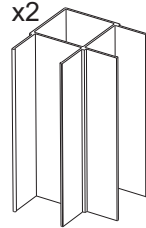
P15

1x150mm

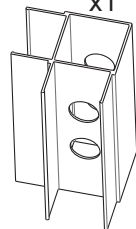
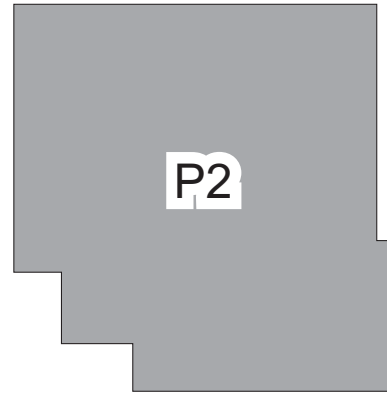
P1

1x602mm
1x1023mm
1x1285mm
1x1299mm
1x1810mm

x2



x1

**P2**

1x176mm
3x1944mm

P3

4x189mm
2x1776mm
6x1970mm

P4

1x189mm
2x1970mm

P5

1x189mm
2x1970mm



5x2000mm

P9

1x189mm
2x1970mm

P6

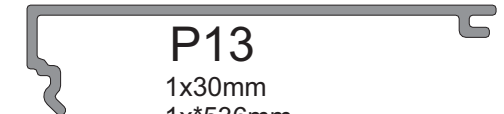
2x1750mm

P7

1x900mm
2x2000mm

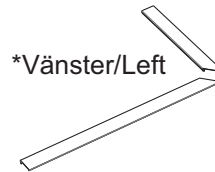
P10

2x1217mm

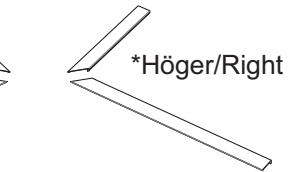
P13

1x30mm
1x*536mm
1x*1070mm

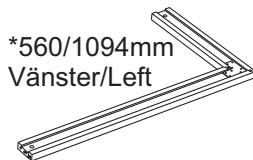
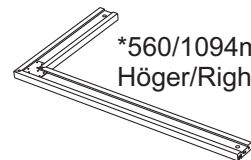
*Vänster/Left



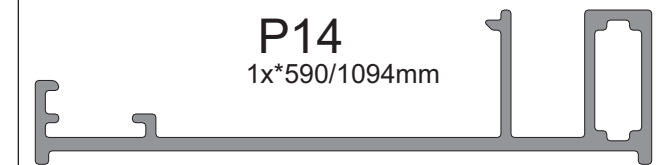
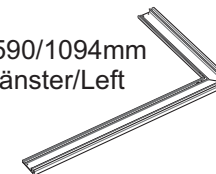
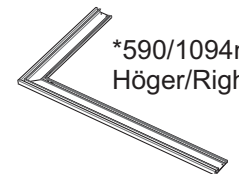
*Höger/Right

**P12**

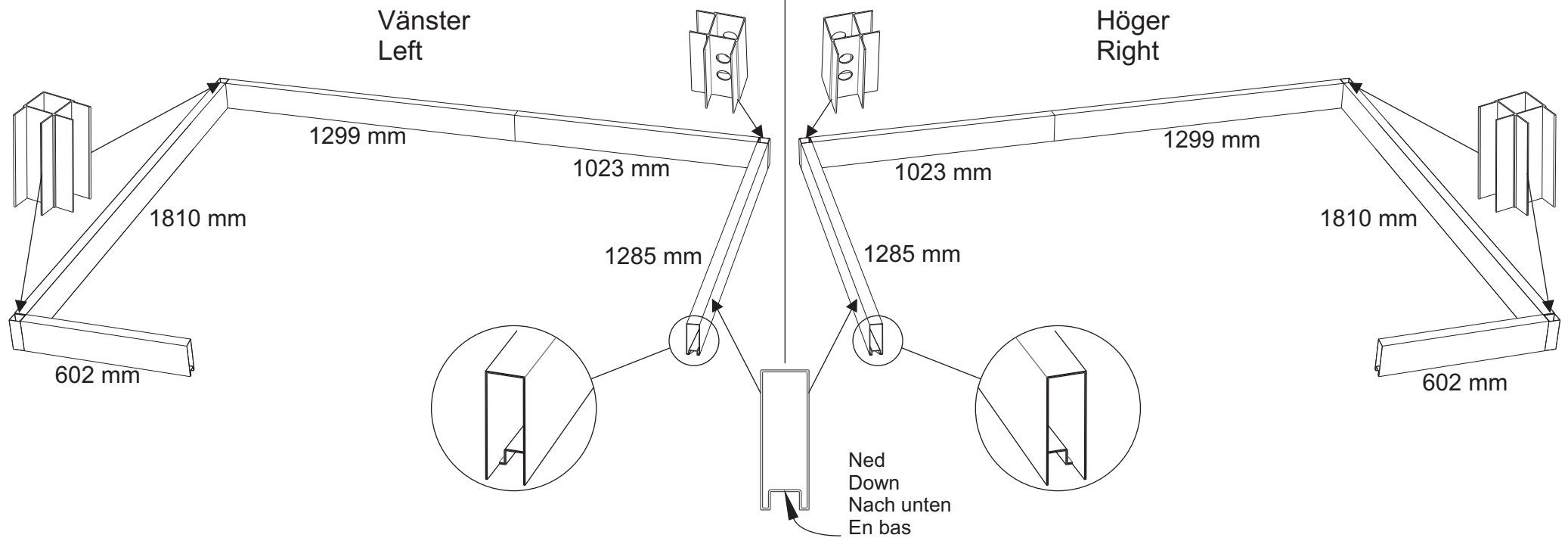
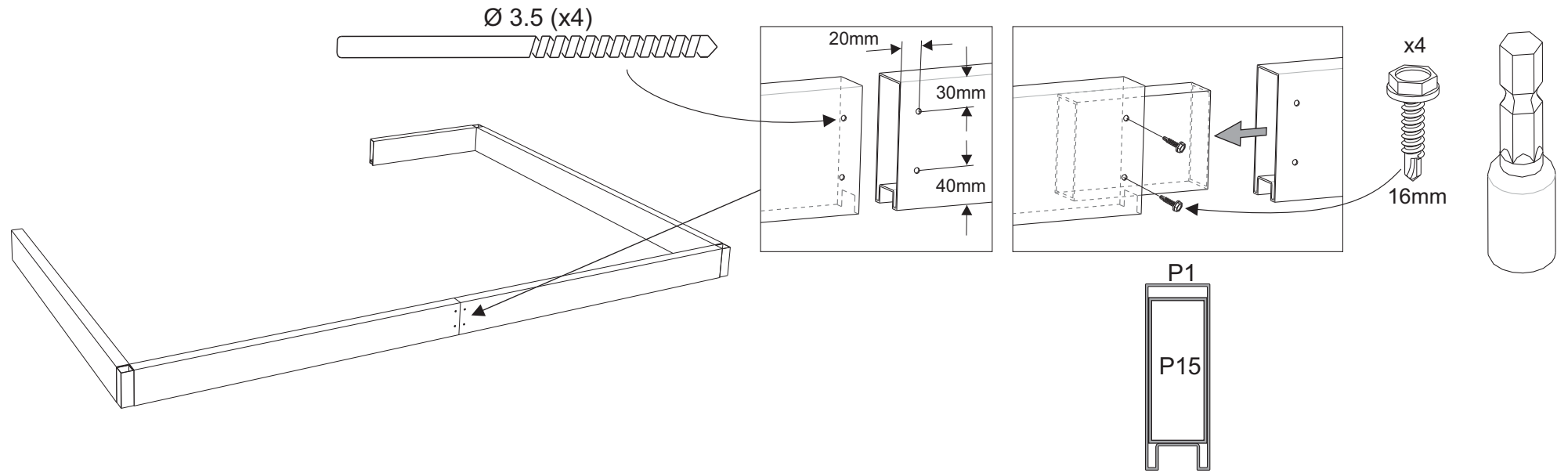
1x1875mm
1x*560/1094mm

*560/1094mm
Vänster/Left*560/1094mm
Höger/Right**P14**

1x*590/1094mm

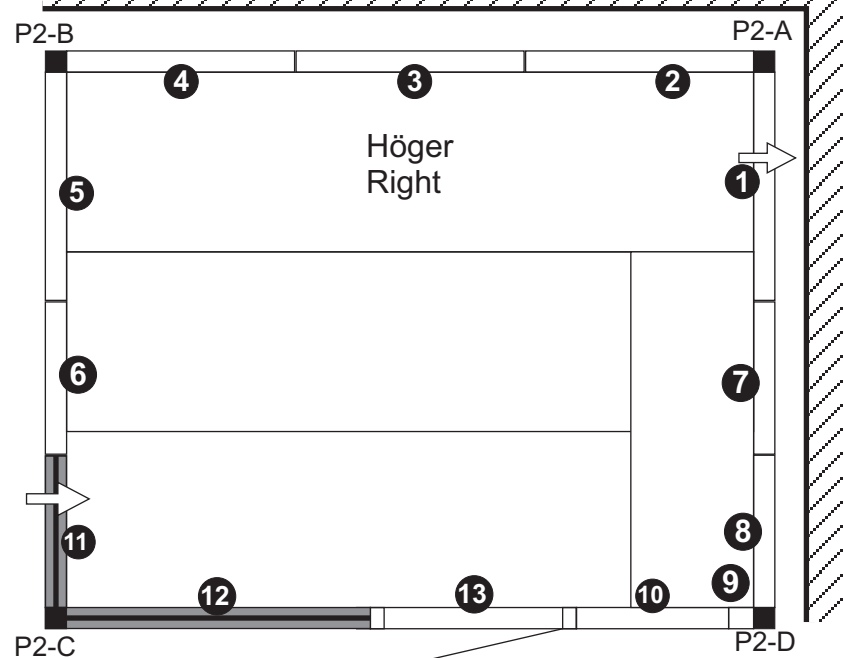
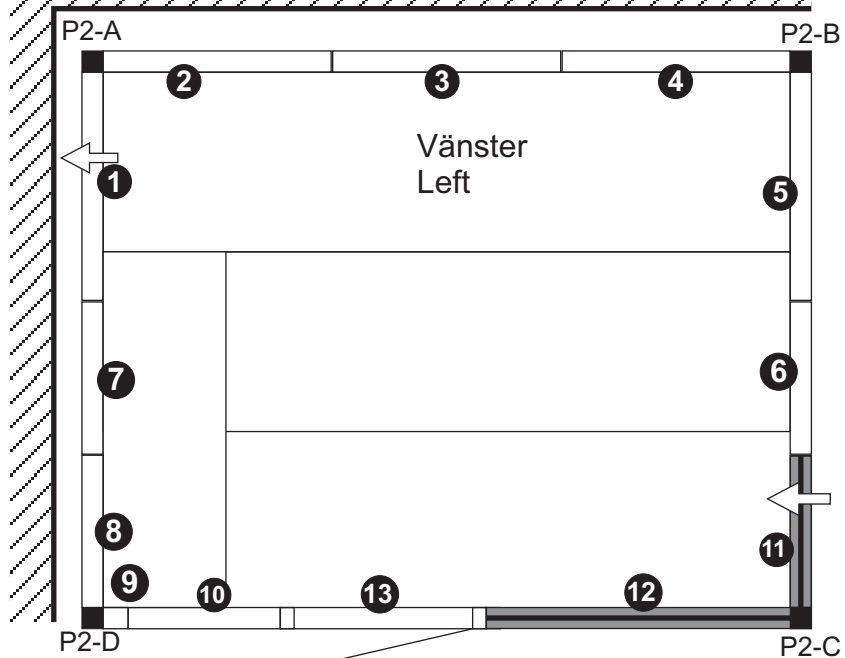
*590/1094mm
Vänster/Left*590/1094mm
Höger/Right

C



D

Monteringsordning - väggar
 Assembly order - walls



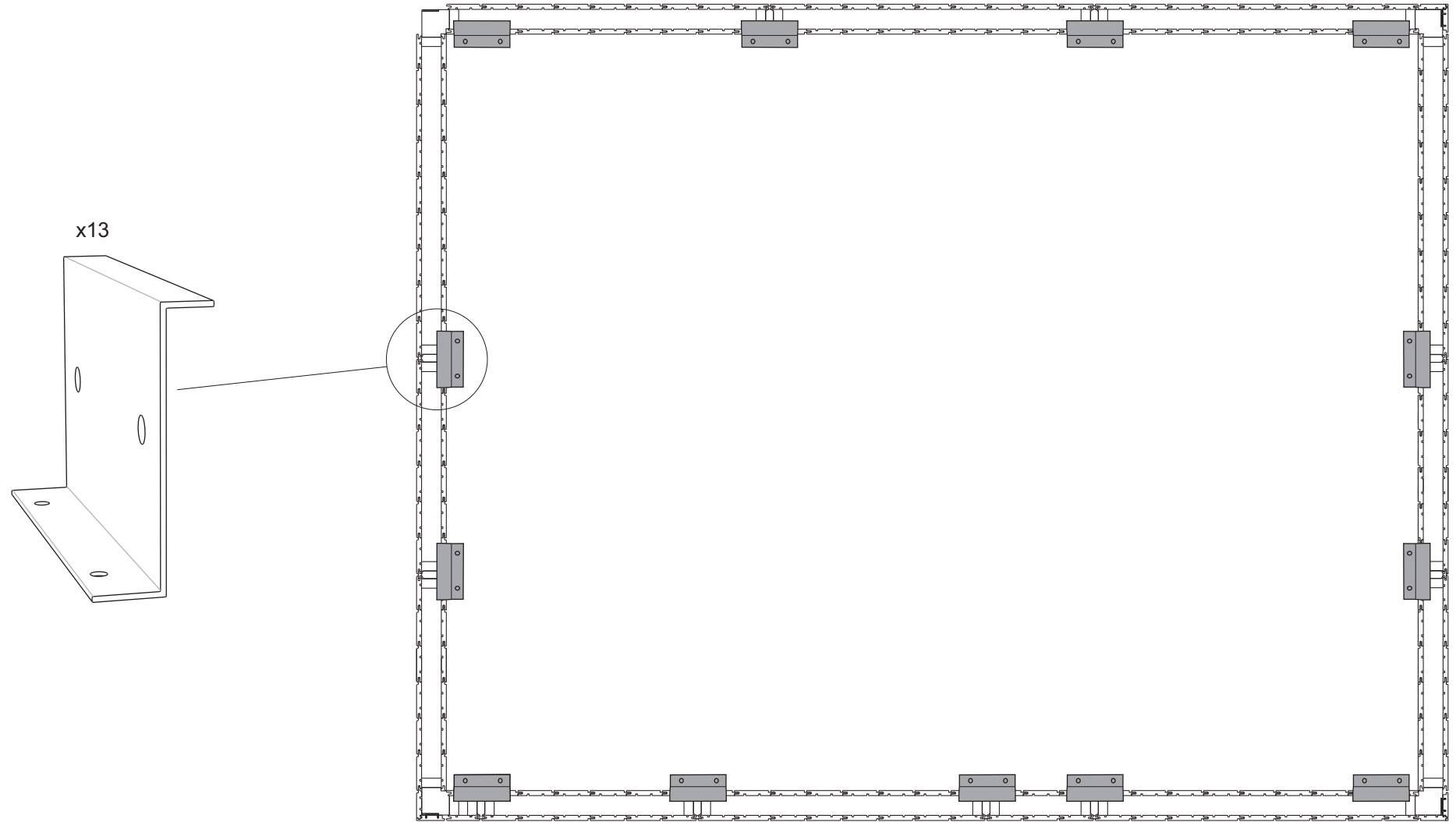
Väggyttermått
 Wall outer dimensions

1 2 3	762 mm
4 5	
6 7 8	506 mm
10	
9	77 mm
11 (Glas/glass)	552 mm
12 (Glas/glass)	1094 mm
13 (Dörr/door)	690 mm

E

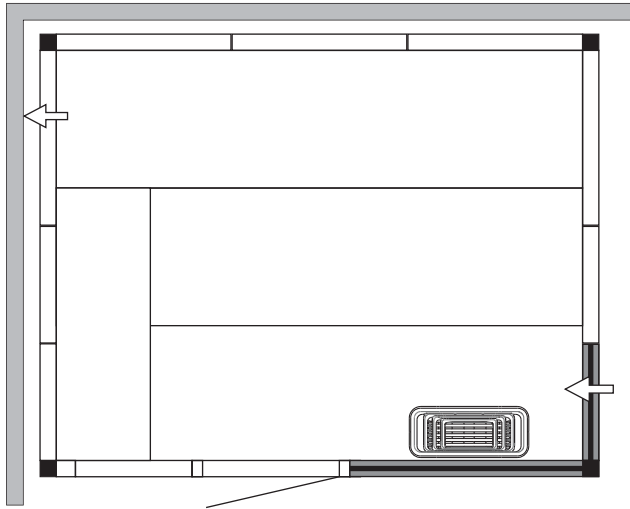
Placering av skarvprofil.
Montering - se monteringsanvisning av rummet.

Location of the joint profile
Assembly - see installation instructions of the room.

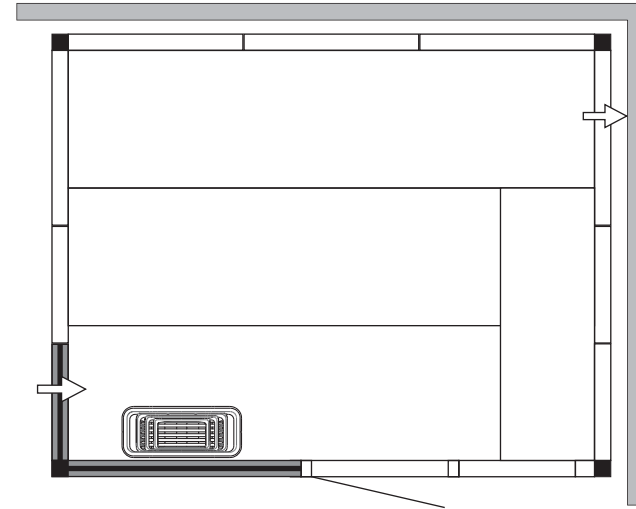


F Layouts 2419 PLUS GC

2419 PLUS GC Left



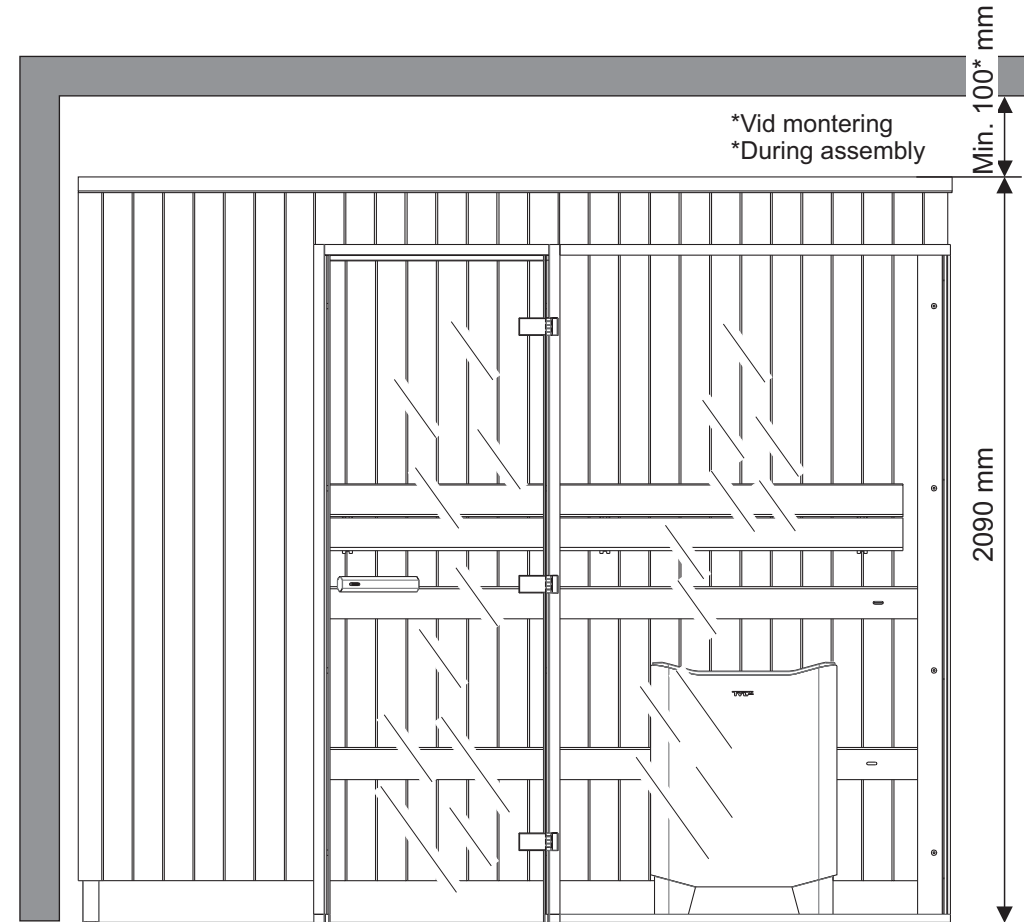
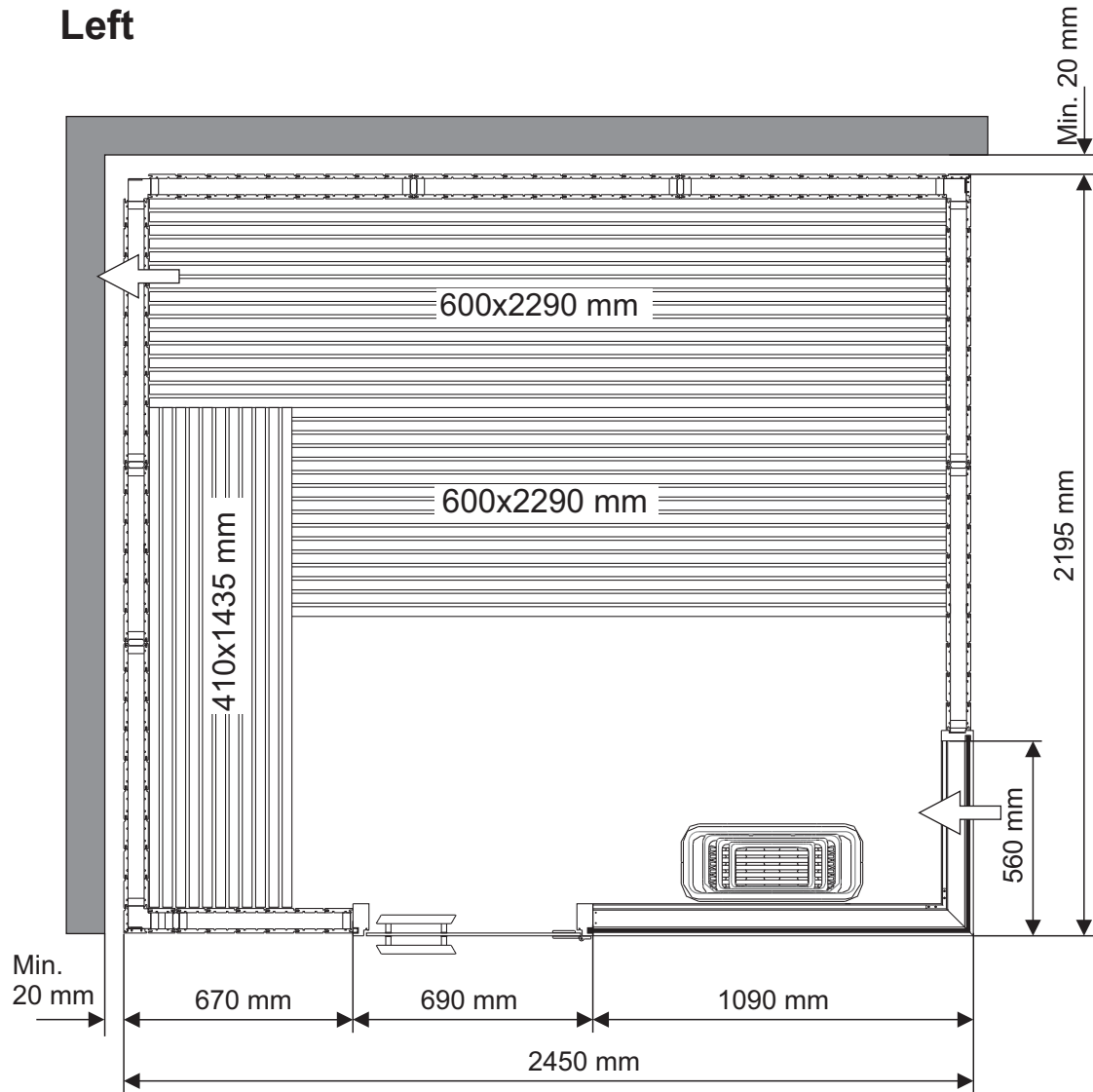
2419 PLUS GC Right



TYLÖ SAUNA E2422 PLUS GC

1301

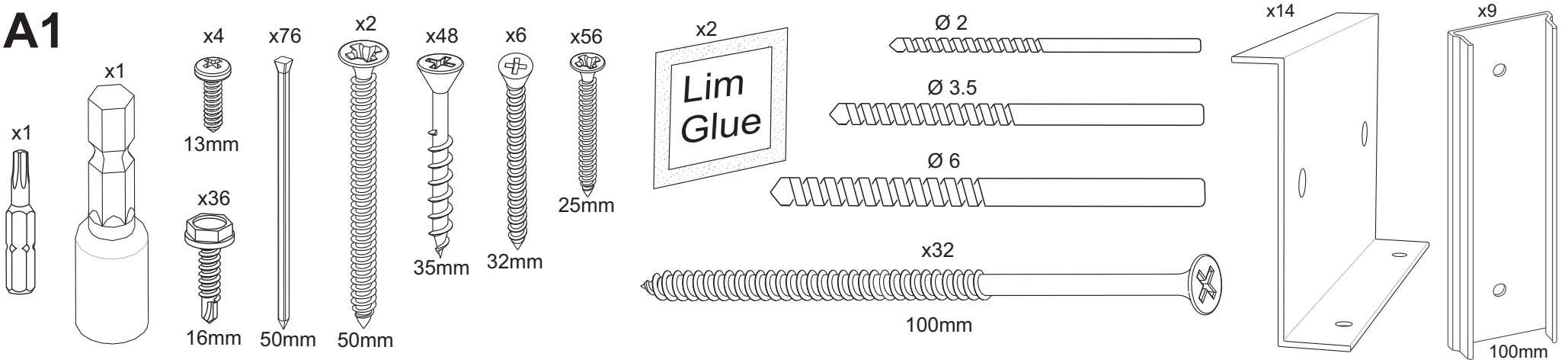
Vänster
Left



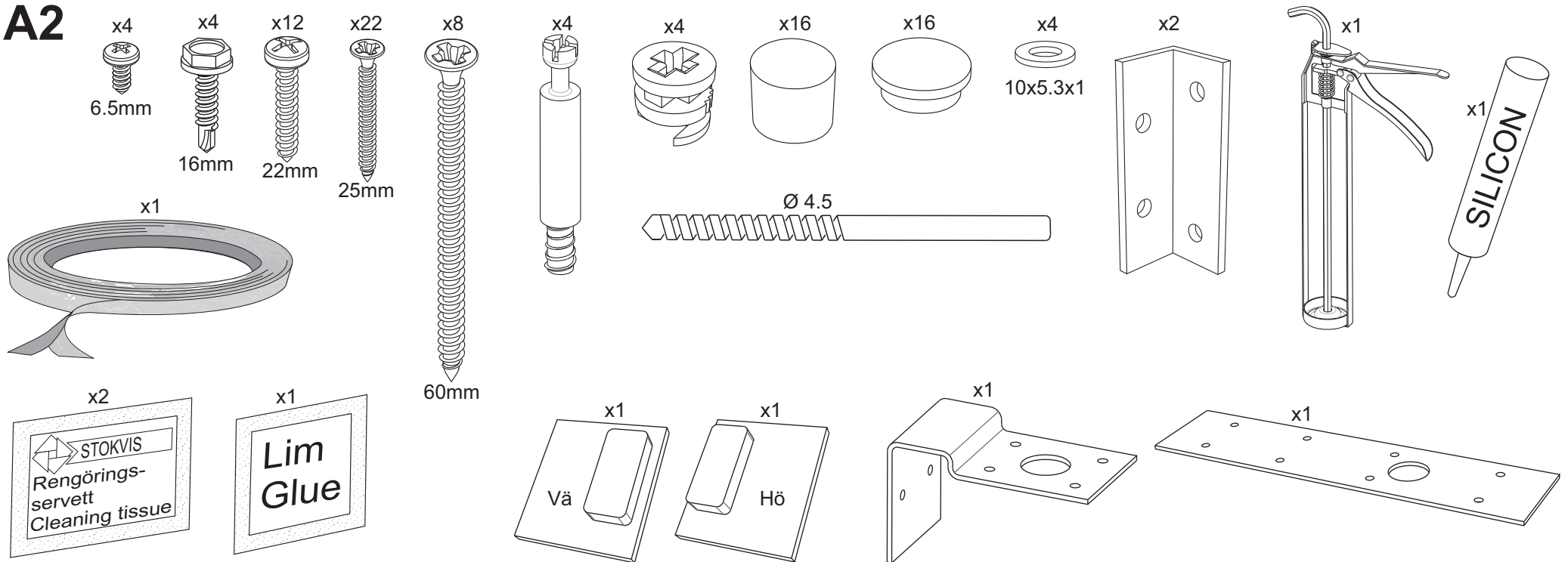
Art.nr 2900 4377

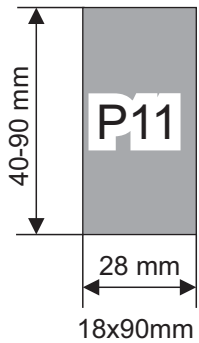
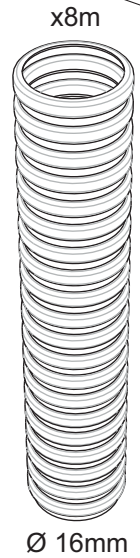
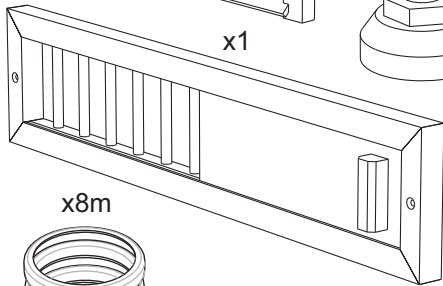
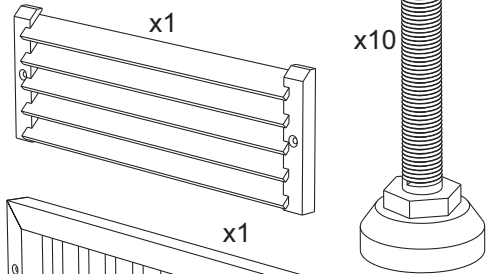
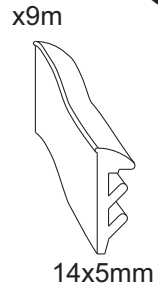
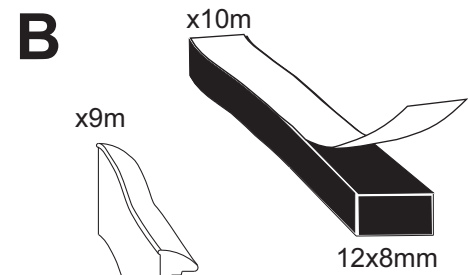
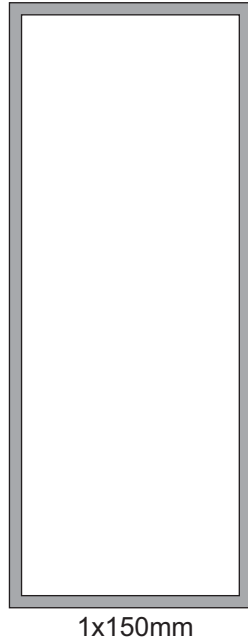
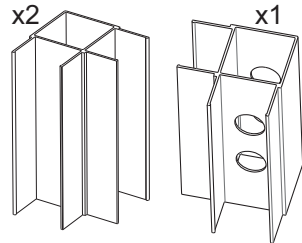
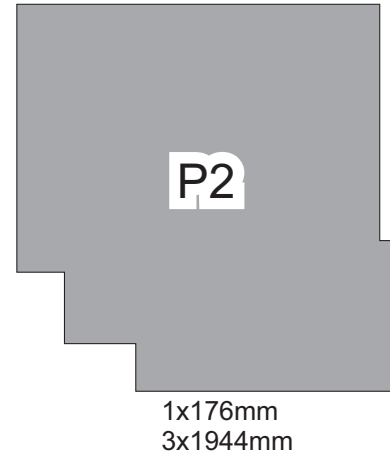
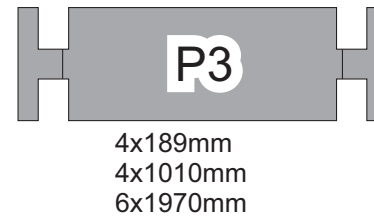
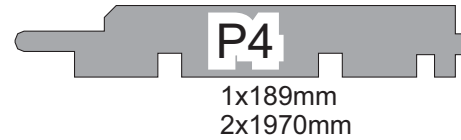
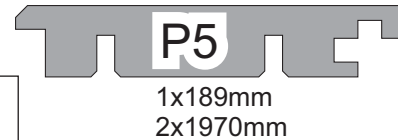
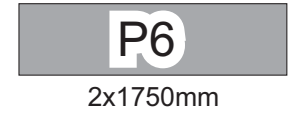
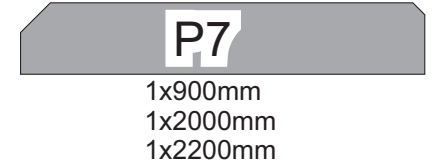
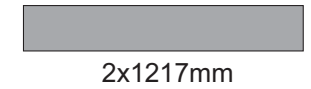
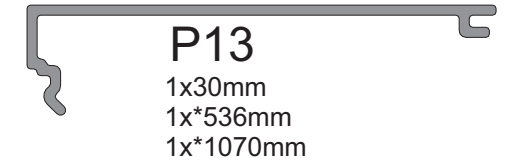
TYLÖ[®]
for the senses

A1



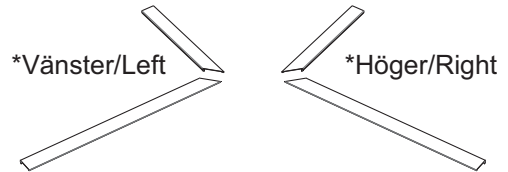
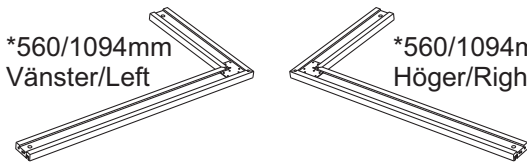
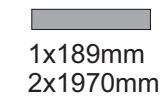
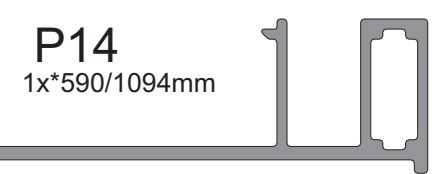
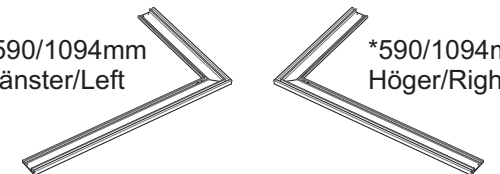
A2



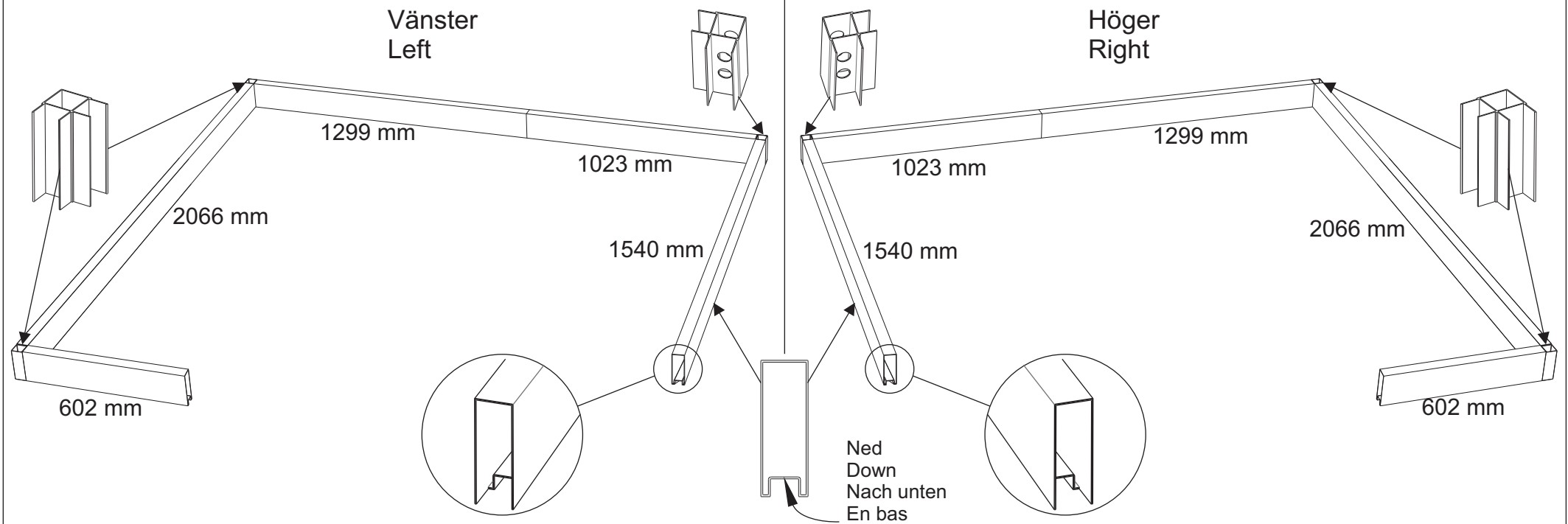
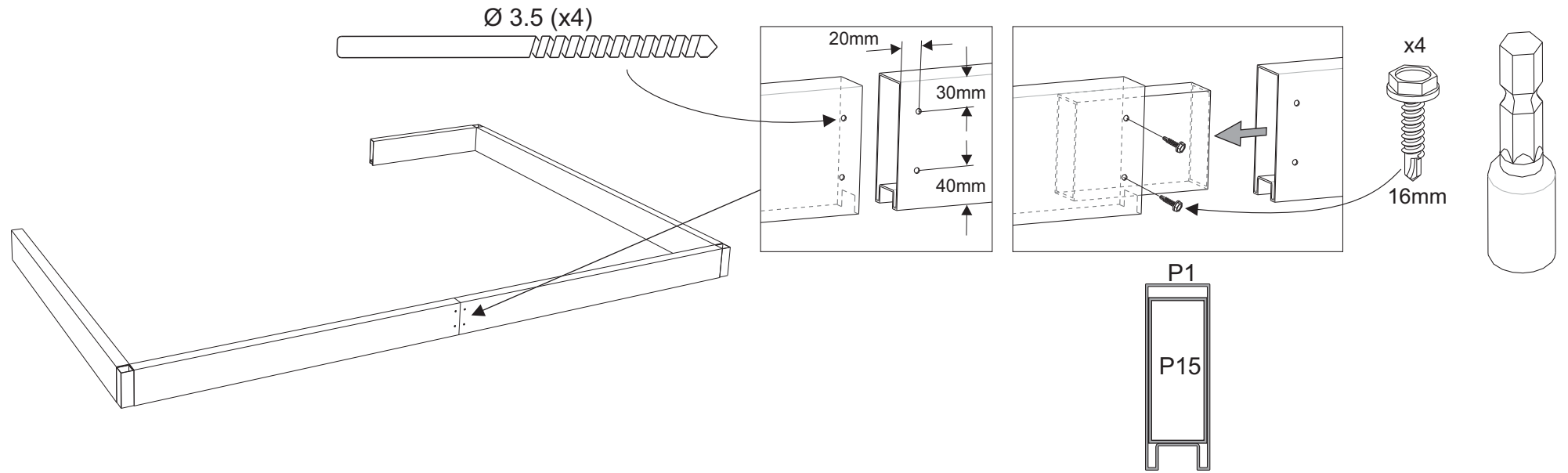
B**P15****P1****P2****P3****P4****P5****P6****P7****P10****P13**

*Vänster/Left

*Höger/Right

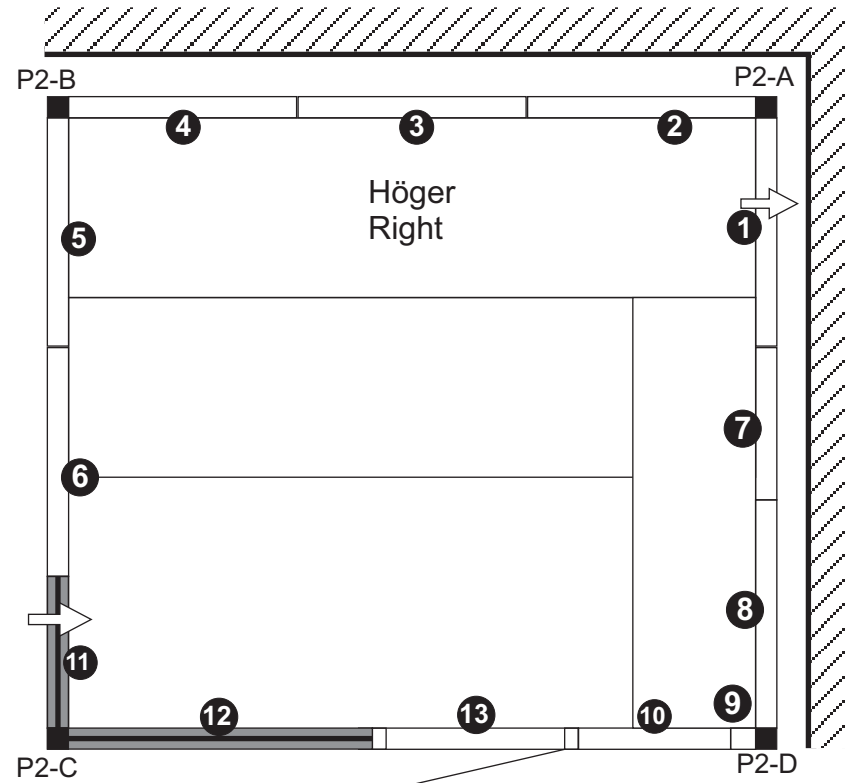
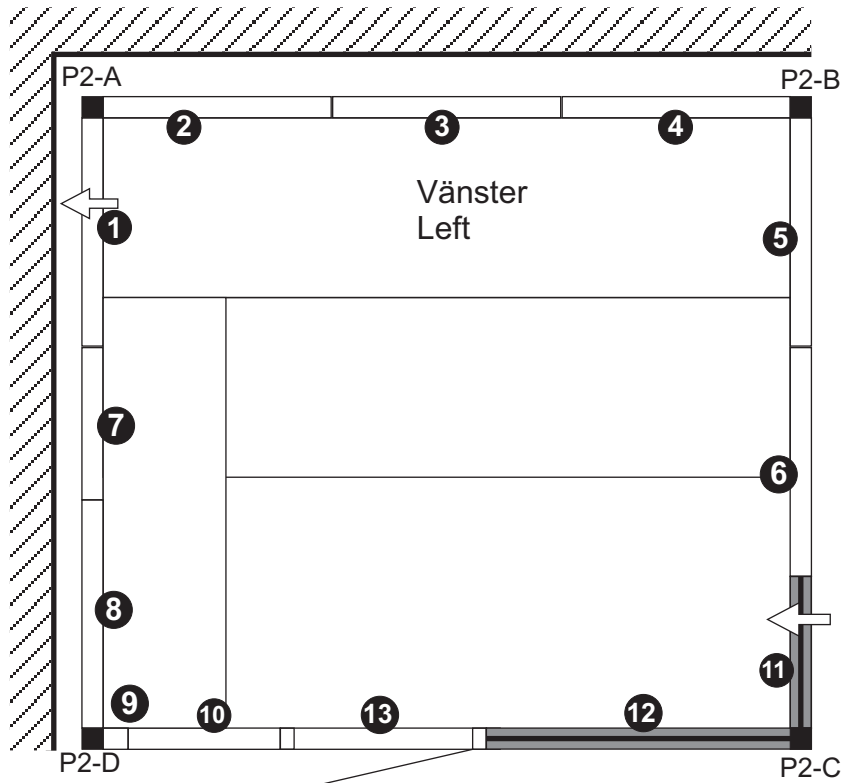
**P12***560/1094mm
Vänster/Left*560/1094mm
Höger/Right**P8****P9****P14***590/1094mm
Vänster/Left*590/1094mm
Höger/Right

C



D

Monteringsordning - väggar
 Assembly order - walls



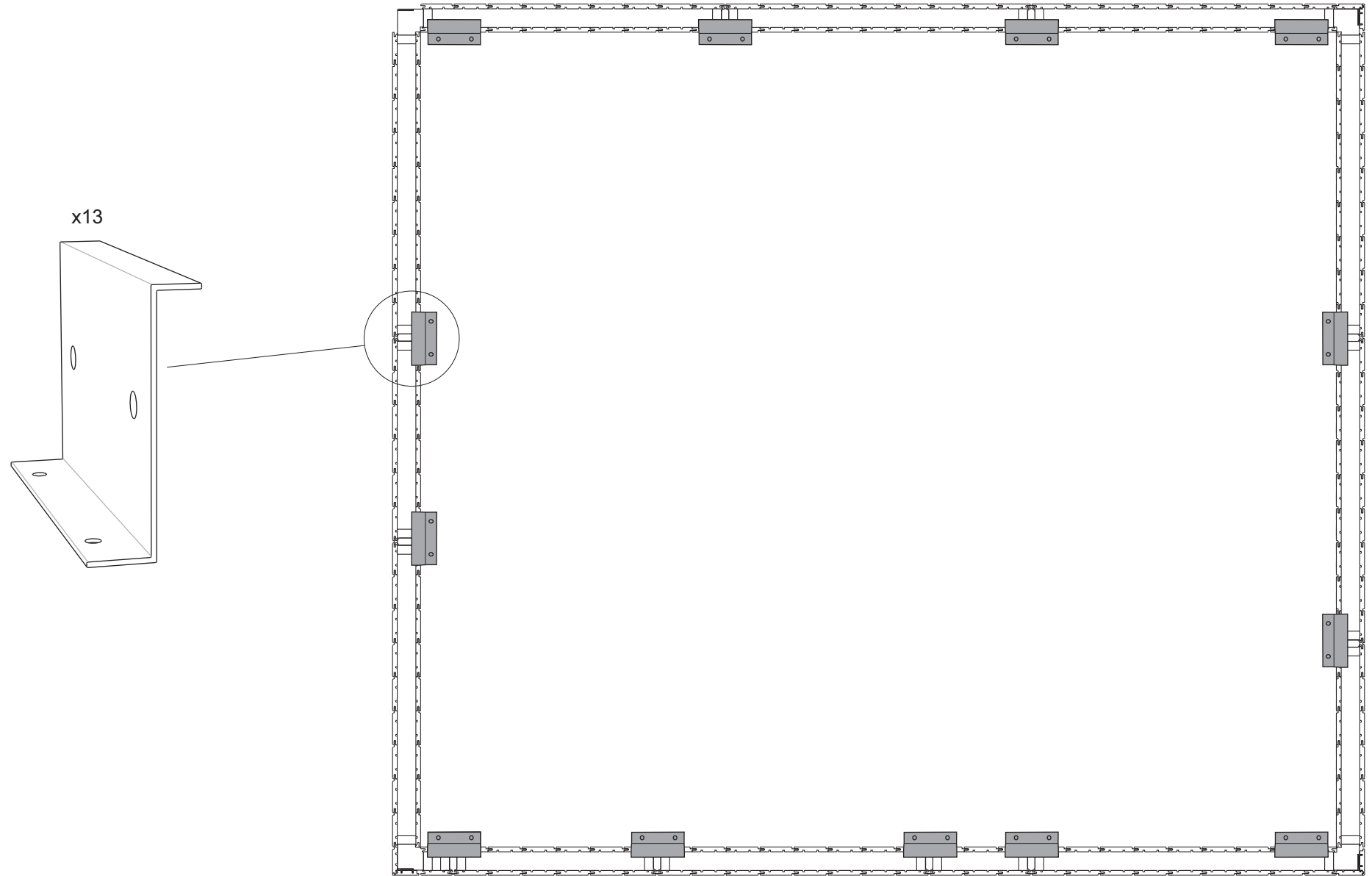
Väggyttermått
 Wall outer dimensions

1 2 3	762 mm
4 5 6	
8	
7 10	506 mm
9	77 mm
11 (Glas/glass)	552 mm
12 (Glas/glass)	1094 mm
13 (Dörr/door)	690 mm

E

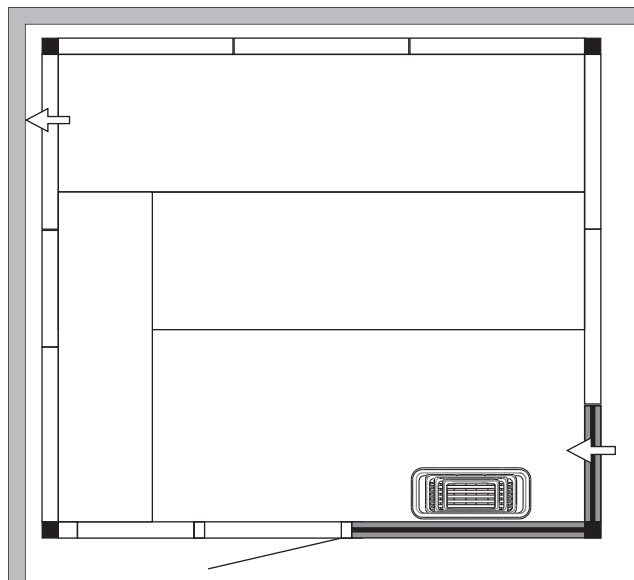
Placering av skarvprofil.
Montering - se monteringsanvisning av rummet.

Location of the joint profile
Assembly - see installation instructions of the room.

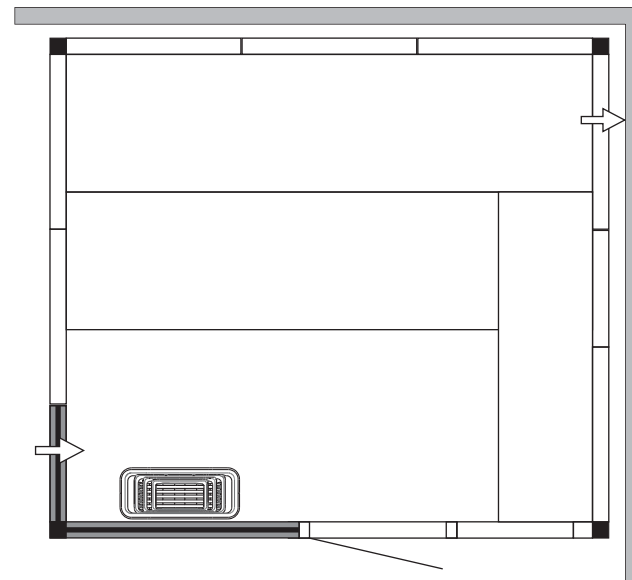


F Layouts 2422 PLUS GC

2422 PLUS GC Left



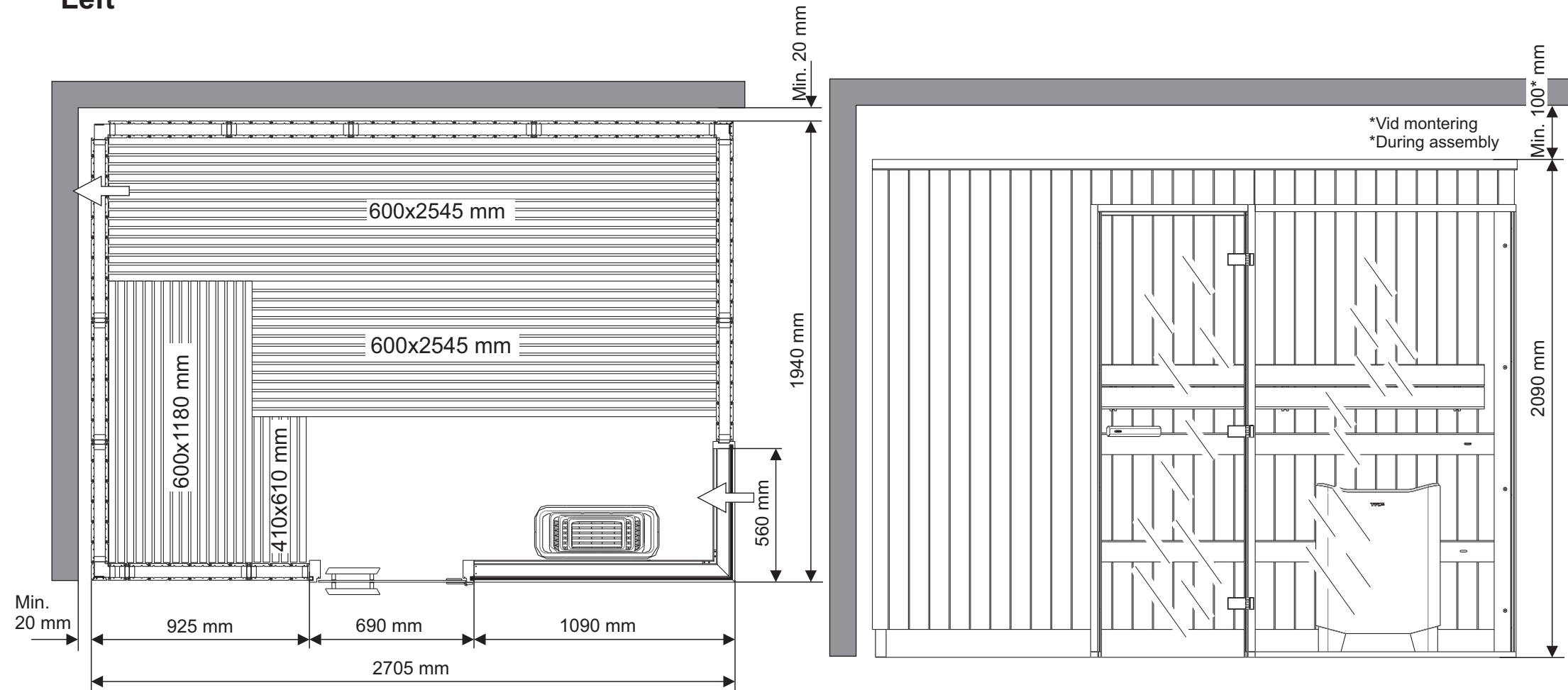
2422 PLUS GC Right



TYLÖ SAUNA E2719 PLUS GC

1301

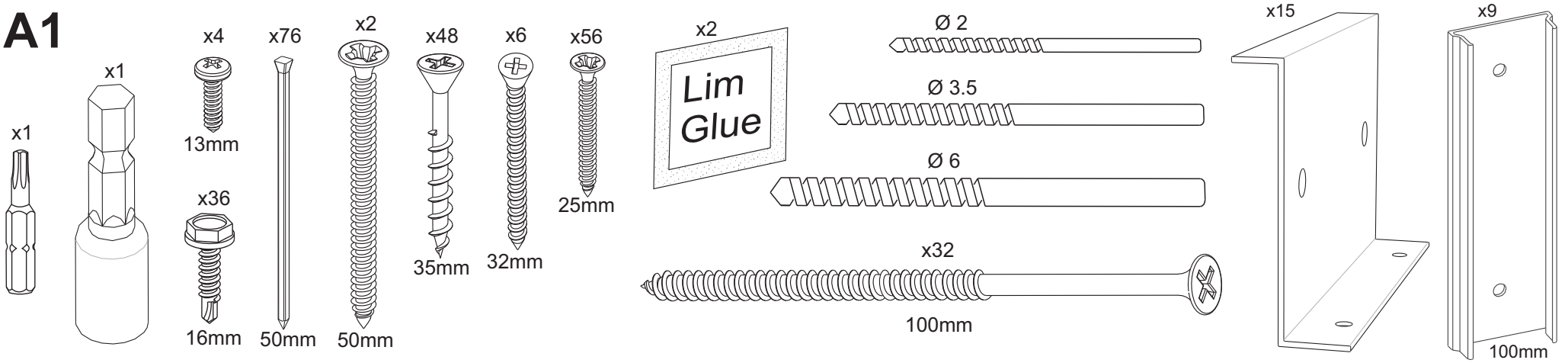
Vänster
Left



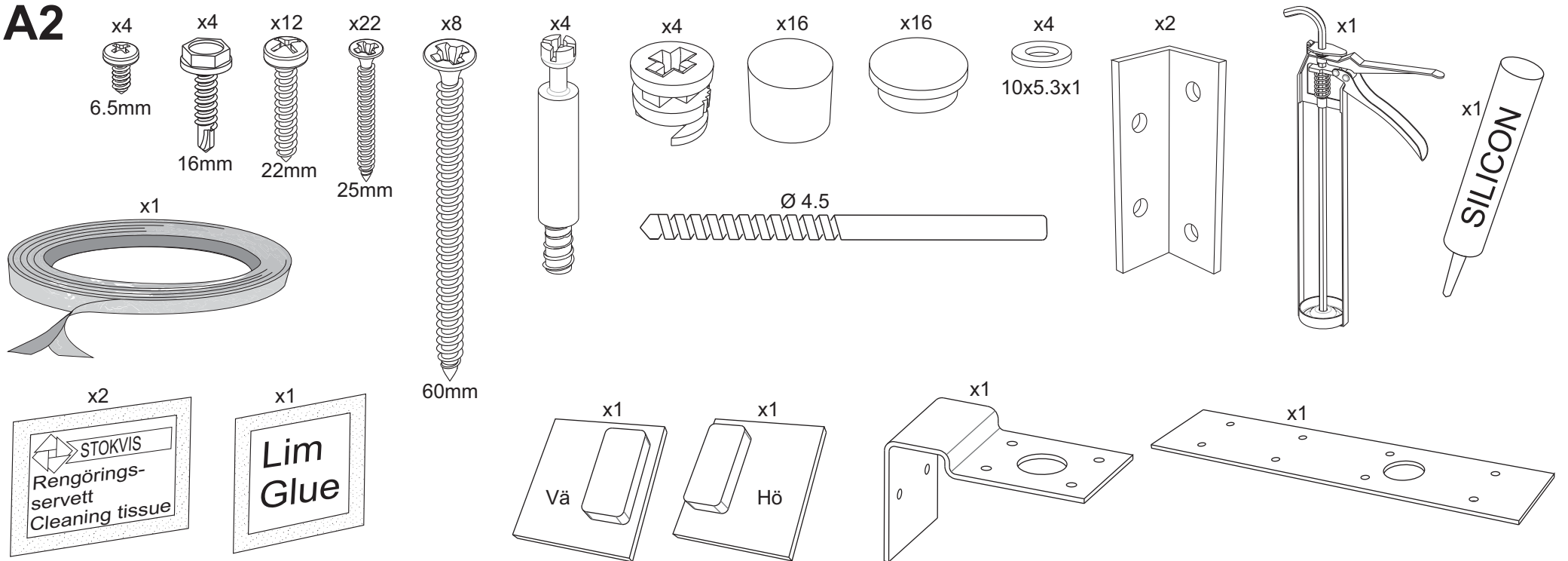
Art.nr 2900 4382

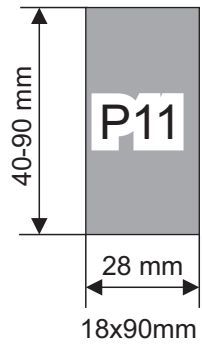
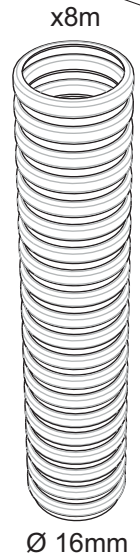
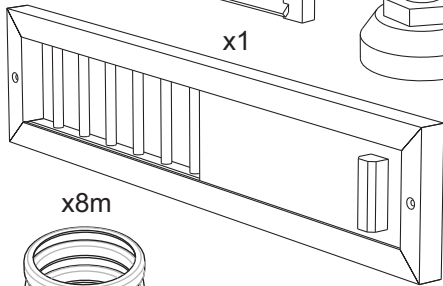
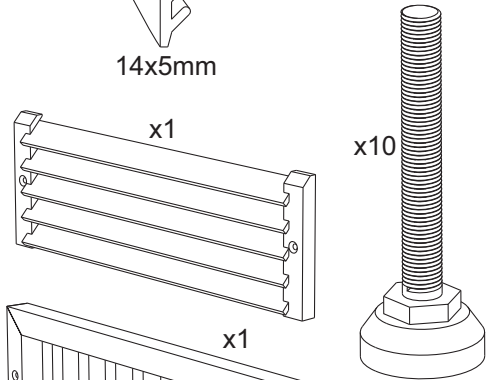
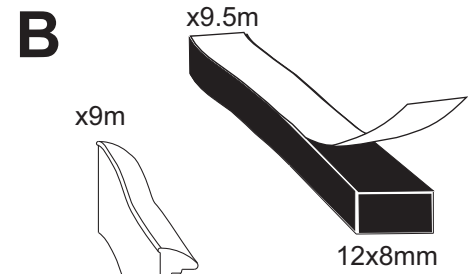
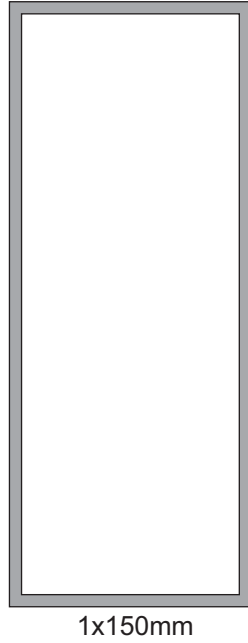
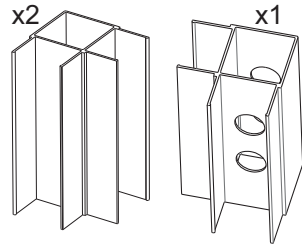
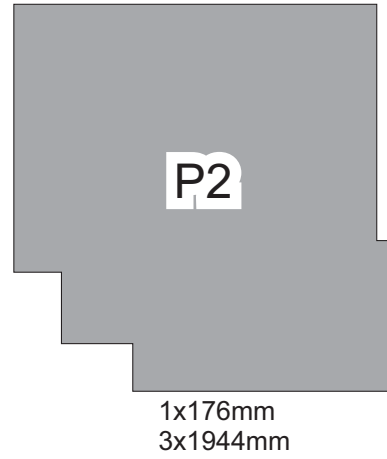
TYLÖ[®]
for the senses

A1



A2

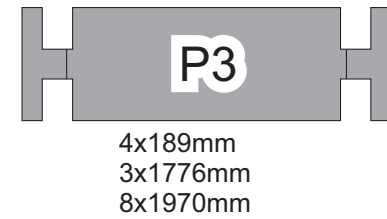
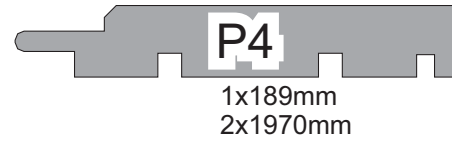
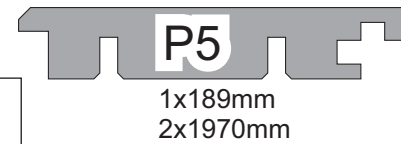
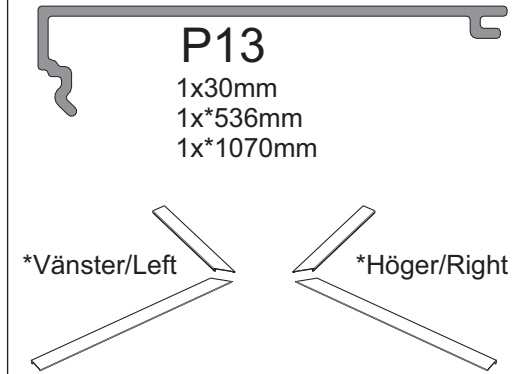
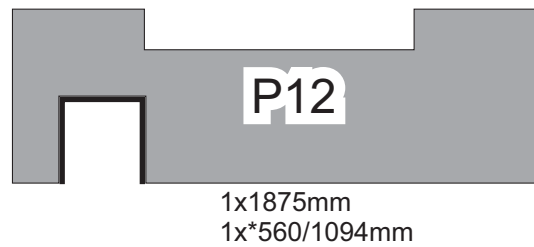
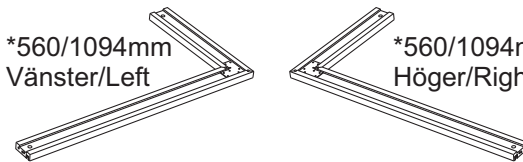
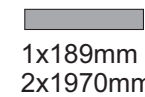


B**P15****P1****P2****P6**

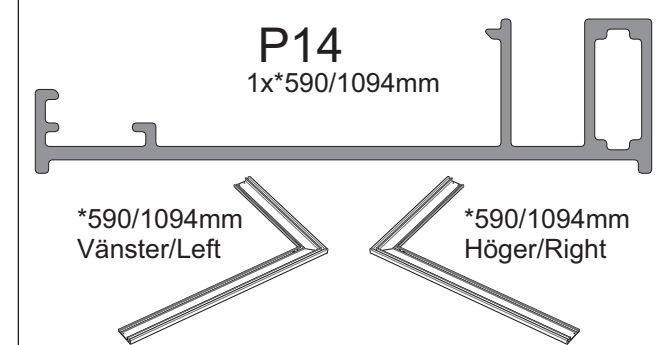
2x1750mm

P71x900mm
2x2000mm**P10**

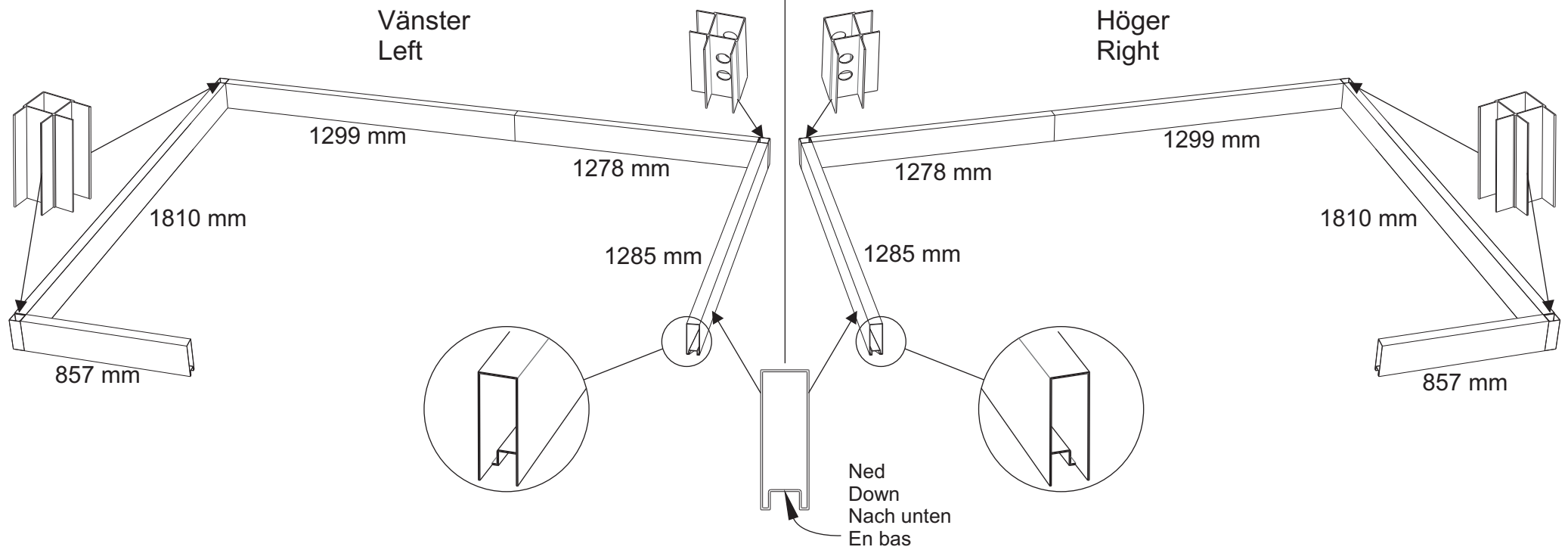
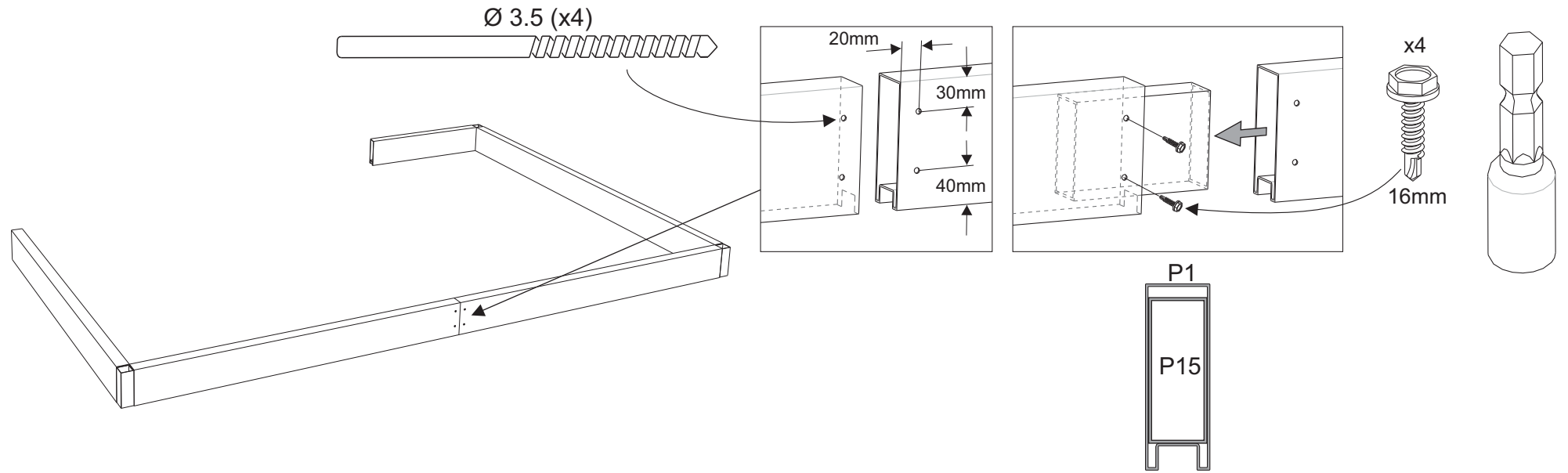
2x1217mm

P3**P4****P5****P13**1x30mm
1x*536mm
1x*1070mm**P12***560/1094mm
Vänster/Left*560/1094mm
Höger/Right**P8****P9****P14**

1x*590/1094mm

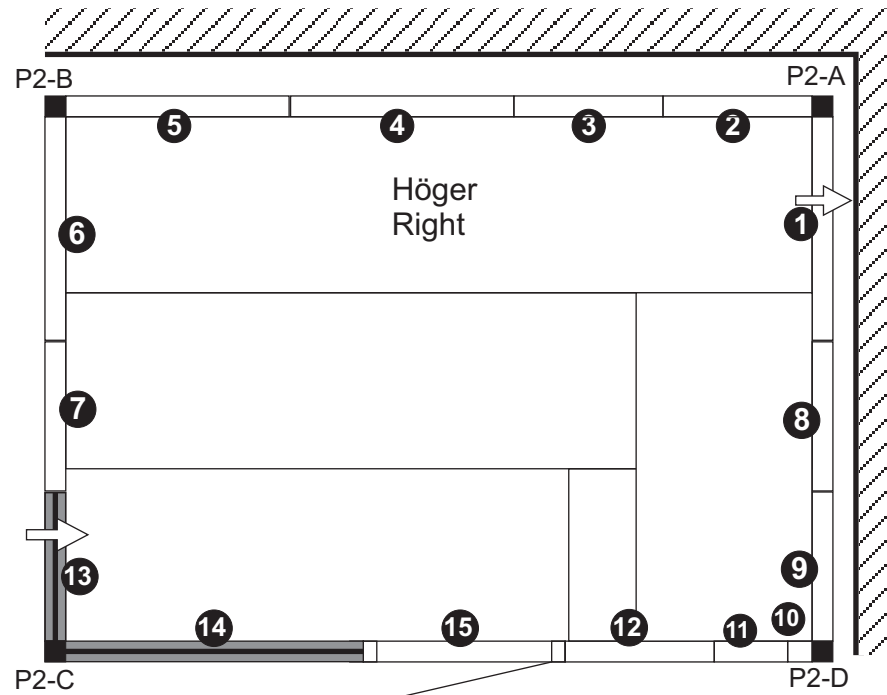
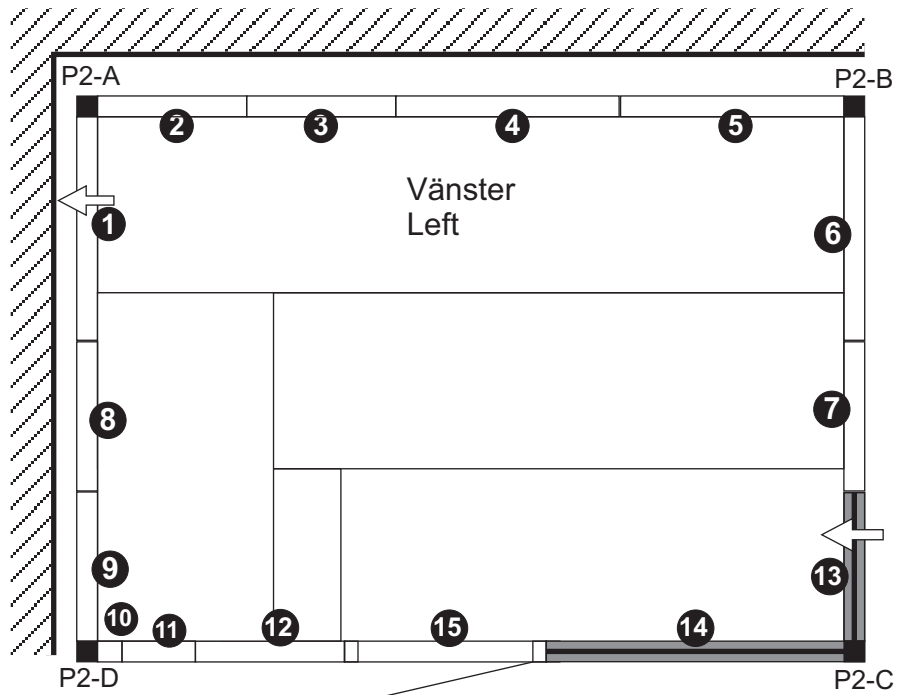


C



D

Monteringsordning - väggar
 Assembly order - walls



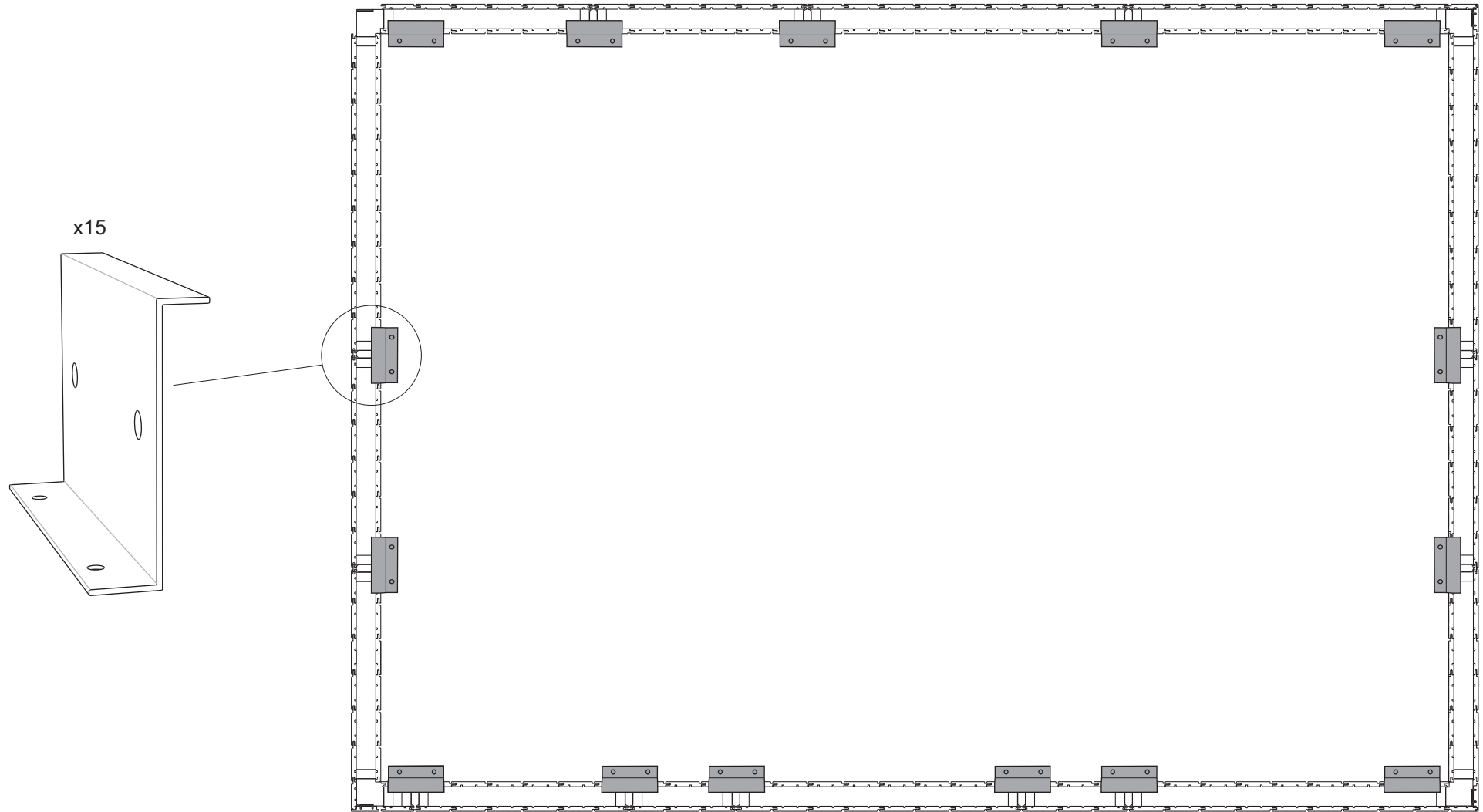
Väggyttermått
 Wall outer dimensions

1 4 5 6	762 mm
2 3 7 8 9 12	506 mm
11	250 mm
10	77 mm
13 (Glas/glass)	552 mm
14 (Glas/glass)	1094 mm
15 (Dörr/door)	690 mm

E

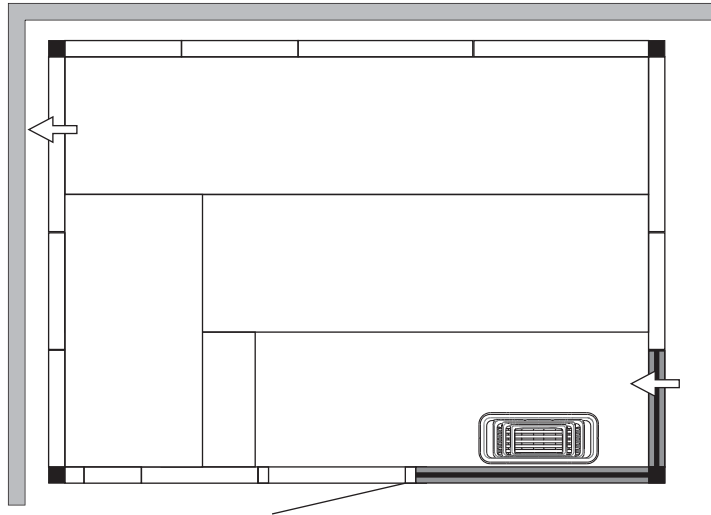
Placering av skarvprofil.
Montering - se monteringsanvisning av rummet.

Location of the joint profile
Assembly - see installation instructions of the room.



F Layouts 2719 PLUS GC

2719 PLUS GC Left



2719 PLUS GC Right

